

BW3200A, BW3200B Explosion Proof Floodlight



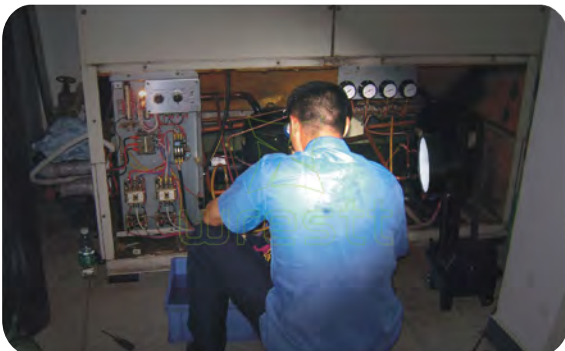
HID



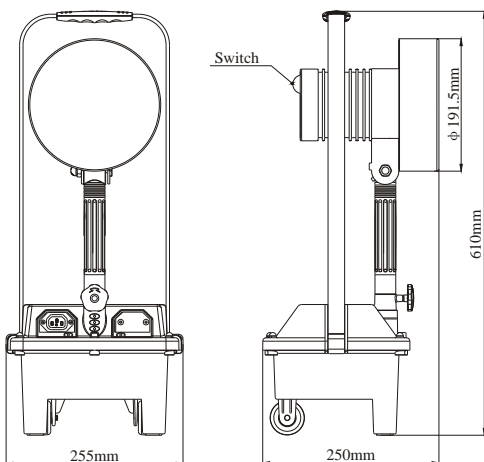
BW3200A

BW3200B

Ex Code: Ex de IIC T6
Standard: GB3836.1, GB3836.2, GB3836.3
IEC60079-1:2007,MOD
IEC60079-7:2006,MOD



Drawing of dimension (Dimensions in mm)



Application

This product is widely used as mobile lighting for all kinds of night work tasks, repairing, inspection and accident relief etc.

Characteristics of Performance

- Safe and reliable: flame proof type of protection. Suitable to be used in various flammable and explosive environment.
- Efficient&Energy-saving:BW3200A adopts 35w HID as light source, gives 4 times light output than the halogen bulb. Its luminous flux can be 3,200Lumen, with 8 hours runtime.
- Flexible&Convenience: The lamp head has 360° rotation and 135° tilt.The tripod is option. Extendable height: 1.2 to 3meters.
- Water-proof&Durable: The housing is made of aluminium alloy, insure the unit enable to stand the strong impact, waterproof.
- Intelligent charging: the recharging is controlled by the chip. with over charging protection, over discharge protection and short circuit protection. It will swift to trickling charge automatically when the battery is full charged.

Main specification

Specification	Unit	BW3200A	BW3200B
Rated Voltage	V	12	12
Rated Power	W	35	55
Rated Capacity	Ah	24	24
Light Output (high)	lm	3,200	1,800
Effective Beam Distance	m	1,200	700
Runtime (high)	h	8	6
Runtime (low)	h	—	11
Recharge Time	h	12	12
Service Life Of Bulb	h	10,000	1,200
Battery Recharge Cycle	Times	≈1,000	≈1,000
Dimension	mm	255×250×610	255×250×610
Net Weight	Kg	16.5	15.3



BW3200A
HID light source



Charging socket



Tripod (optional)



Charger