

BW3200A, BW3200B Explosion Proof Floodlight



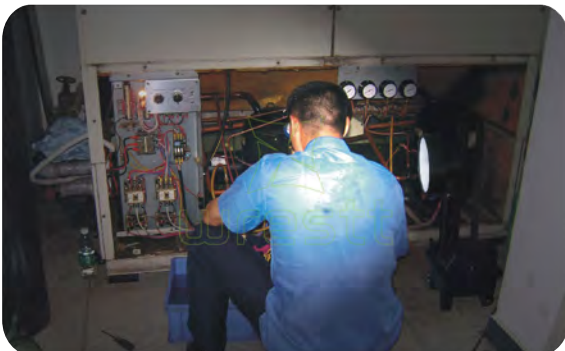
HID



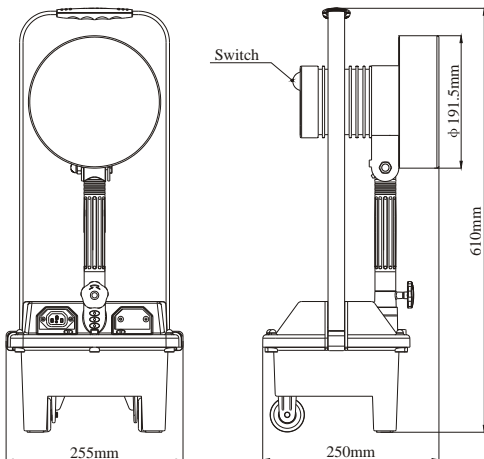
BW3200A

BW3200B

Ex Code: Ex de IIC T6
Standard: GB3836.1, GB3836.2, GB3836.3
IEC60079-1:2007,MOD
IEC60079-7:2006,MOD



Drawing of dimension (Dimensions in mm)



Application

This product is widely used as mobile lighting for all kinds of night work tasks, repairing, inspection and accident relief etc.

Characteristics of Performance

- Safe and reliable: flame proof type of protection. Suitable to be used in various flammable and explosive environment.
- Efficient&Energy-saving:BW3200A adopts 35w HID as light source, gives 4 times light output than the halogen bulb. Its luminous flux can be 3,200Lumen, with 8 hours runtime.
- Flexible&Convenience: The lamp head has 360° rotation and 135° tilt.The tripod is option. Extendable height: 1.2 to 3meters.
- Water-proof&Durable: The housing is made of aluminium alloy, insure the unit enable to stand the strong impact, waterproof.
- Intelligent charging: the recharging is controlled by the chip. with over charging protection, over discharge protection and short circuit protection. It will swift to trickling charge automatically when the battery is full charged.

Main specification

Specification	Unit	BW3200A	BW3200B
Rated Voltage	V	12	12
Rated Power	W	35	55
Rated Capacity	Ah	24	24
Light Output (high)	lm	3,200	1,800
Effective Beam Distance	m	1,200	700
Runtime (high)	h	8	6
Runtime (low)	h	—	11
Recharge Time	h	12	12
Service Life Of Bulb	h	10,000	1,200
Battery Recharge Cycle	Times	≈1,000	≈1,000
Dimension	mm	255×250×610	255×250×610
Net Weight	Kg	16.5	15.3



BW3200A
HID light source



Charging socket



Tripod (optional)



Charger

LED



IP66

-20°C

+50°C



Spotlight

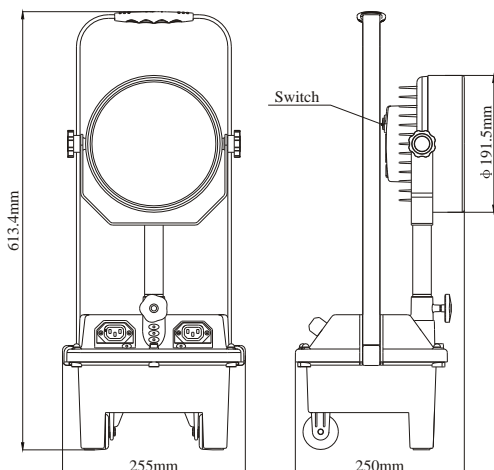
Floodlight

Ex Code: Ex de IIC T6
Standard: GB3836.1, GB3836.2, GB3836.3
IEC60079-1:2007,MOD
IEC60079-7:2006,MOD



Tripod

Drawing of dimension (Dimensions in mm)



Application

This product is widely used as mobile lighting for all kinds of night work tasks, repairing, inspection and accident relief etc.

Characteristics of performance

- Spot light beam or Flood light beam is available according to the application.
- Safe and reliable: flame proof type of protection. Suitable to be used in various flammable and explosive environment.
- Efficient&Energy-saving: It adopts CREE LED light source, high intensity, and 100,000 hours service life. It has battery level indication function. Operator can check the energy left at any time.
- Waterproof & Durability: The housing is made of aluminium alloy, insure the unit enable to stand the strong impact. It is sealed to IP66 preventing the ingress of dust and water. Suitable to be used in all kinds of harsh environment.
- Flexible & Convenient : The lamp head has 360° rotation and 135° tilt.
- The extendable pole is optional, with 1.2 to 1.7 meters extenable height. The wheels on the bottom make the transportation more easy.
- Intelligent charging : The charger is controlled by the chip . It protect against over-charging, over discharge and short circuit. When battery is fully charged. It will switch to trickle charging automatically.

Main specification

Specification	Unit	BW3210	
Rated Voltage	V	DC24	
Rated Capacity	Ah	12	
LED	working Voltage	V	18.5
	Rated Power	W	30 / 15
	Light Output (high/low)	lm	2,300 / 1,600
	Average Service Life	h	100,000
Continuous Runtime	High	h	12
	Low	h	24
Recharge Time	h	12	
Effective Beam Distance	m	800	
Service Life Of Battery	Recycled	≈1,000	
Dimension	L×W×H	mm	255×250×610
Net Weight	Kg	14	



Charging socket



Charger

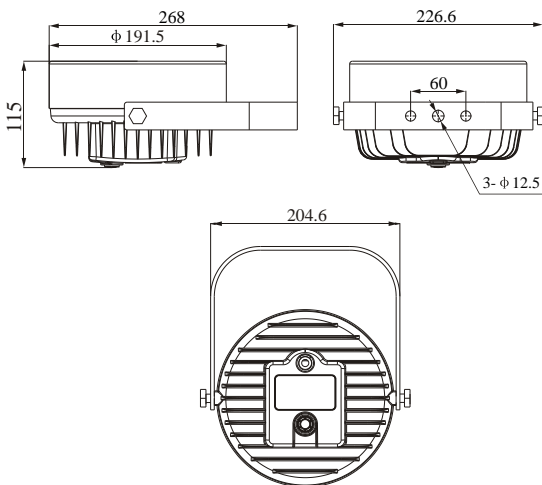
LED



Ex Code: Ex d IIC T6
Standard: GB3836.1, GB3836.2
IEC60079-1:2007,MOD



Drawing of dimension (Dimensions in mm)



Application

This products is designed for use on the well serving unit, tractor hoist, oil derrick and other vehicles in the explosive area.

Characteristics of performance

- The lighting system consists of increased safety control box,, lamp and cable.
- The generator on the tractor hoist will power the units when the vehicle is working, and it is also recharging the units at the same time.
- Good illuminate effect: The four lamps are mounting on the oil derrick. The floodlight can provide large area illuminating. The spotlight can mount on the wellhead. We can provide more lamps according to customers' requirements.
- When the vehicle starts, it will charge the units automatically. The extra energy will be saved to the control box.
- Two dischare switches. When the tractor hoist starts, operator should use the regular discharge switch. Or the battery switch should be turn on.
- When blowout happens, the battery in the control box can power the units for 10 hours. Meeting the emergency lighting requirement.

Components

- Increased safety control box: battery, explosion proof switch, explosion junction box, control circuit.
- Lamp: 2-spotlight; 2-floodlight.
- The lamps are mounting on the derrick, the illuminating direction is adjustable. The lamps are connected to the control box by cables (15meters length)

Main specification

Specification	BW3210A-4	
Rated voltage	DC24V	
Rated power	4 × 30W	
Continuous Working Time	≥ 10h	
Dimension	Lamp	φ 191.5 × 115cm
	Control box	396 × 332 × 344cm
Weight	83Kg	