

LED



Ex Code: Ex ib IIC T4
Standard: GB3836.1, GB3836.4
IEC60079-11:2006,MOD



Head mounting



Helmet mounting



Head mounting



Buckle

Application

It is used as safety helmet head light explosive gas, vapour and mist places. It is the ideal lighting solution for workers in power station, oil field, chemical industry, fire fighting, railway station, military etc.

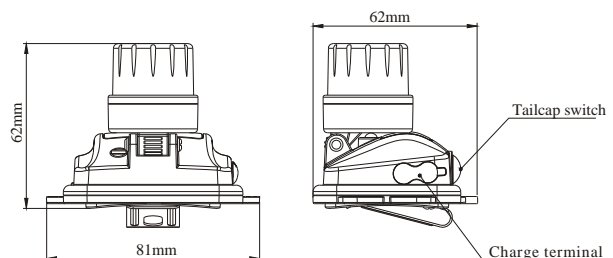
Characteristics of Performance

- It not only can be fixed onto the helmet with the screws provided, but also can be fixed onto the helmet or head by the elastic headband. The head of the light is adjustable within 90°, operator can rotate the head of light to the desired direction.
- The red strobe light design to suit numerous application where indication is critical during emergency. Press the button and switch to the red strobe light mode, it can let others identify the position of the worker.
- This product has battery status indication and low battery warning function. Operator can check the battery status at any time. Towards the end of discharge, the beam flashes off repeatedly, warning recharging is required.
- Adopts CREE LED light source with high light efficacy and 100,000 hours service life. Use of the latest safety increased lithium-ion battery technology improves reliability and environment friendly.
- The charger is controlled by intelligent chip, with various protection.

Main specification

| Specification | | Unit | BW6310A | BW6310B | |
|------------------------|----------------|-------|----------|----------|-----|
| Rated Voltage | | V | 3.7 | 3.7 | |
| Rated Capacity | | Ah | 1.4 | 1.4 | |
| Light source | Light Output | High | lm | 135 | 83 |
| | | Low | lm | 75 | 60 |
| | Flux (1 meter) | High | Lux | 1,750 | 980 |
| Low | | Lux | 950 | 550 | |
| Service Life Of Bulb | | h | 100,000 | 100,000 | |
| Runtime | High | h | 4 | 8 | |
| | Low | h | 8 | 16 | |
| Time Of Charging | | h | 4 | 4 | |
| Battery Recharge Cycle | | Times | ≈1,000 | ≈1,000 | |
| Dimension | | mm | 50×65×60 | 50×65×60 | |
| Net Weight | | g | 85 | 85 | |

Drawing of dimension (Dimensions in mm)



BW6200C Portable Explosion Proof Searchlight



Ex Code: Ex de IIC T4
Standard: GB3836.1, GB3836.2, GB3836.3
IEC60079-1:2007,MOD
IEC60079-7:2006,MOD



Base charger



Portable



Head mounting

Application

It is widely used as mobile lighting in the field of gas station, power station, petrochemistry, oil field, customs inspection, police, patrol, rescue relief, railway, fire fighting etc.

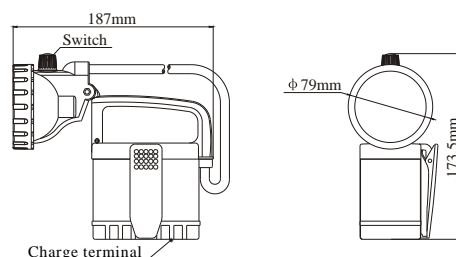
Characteristics of Performance

- It is safe to be used in various flammable and explosive place.
- Lightweight, easy to carry. Portable and also available to be fixed onto the helmet. rotary switch, make the user easily to change the light mode from the high light to the low light. It is zoomable.
- It is made of PC material, have a good water proof performance.
- It adopt imported halogen bulb as light source with high light efficacy, long service life, strong impact resistance. The unit is powered by high capacity battery, which has a long recycle service life, short-circuit protection function, environment friendly and have no memory effect.
- The recharging and discharging is controlled by the intellectual chip, have multiple protection to the battery, more safety and high efficiency.

Main specification

| Description | Unit | BW6200C | |
|---------------------------|-------|------------|-----|
| Rated voltage | V | 6 | |
| High/low power | W | 18 / 2.4 | |
| Rated capacity of battery | Ah | 3.5 | |
| Light Output | High | lm | 300 |
| | Low | lm | 48 |
| Runtime | High | h | 1.5 |
| | Low | h | 10 |
| Time of charging | h | 8-9 | |
| Service life of bulb | h | 480 | |
| Service life of battery | Times | ≈ 1,000 | |
| Dimension | mm | 113×75×133 | |
| Net weight | Kg | 1.1 | |

Drawing of dimension (Dimensions in mm)



LED



Ex Code: Ex ib IIC T5
Standard: GB3836.1, GB3836.4
IEC60079-11:2006,MOD



Portable



Head mounting

Application

It is widely used as mobile lighting in the inflammable and explosive places such as petrochemical, power generation, mining, fire-fighting and metallurgy area etc.

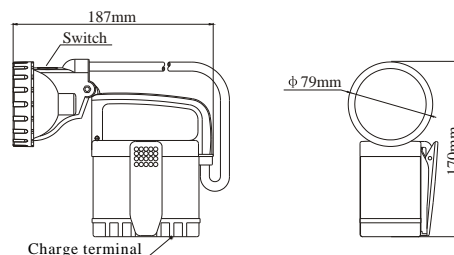
Characteristics of Performance

- Adopts LED light source, which has a higher light efficacy and long service life. It is environment friendly.
- High intensity light and low intensity light is switchable.
- Small size and light weight. It is portable. The lamp can also be fixed onto the helmet. It is sealed to IP66, waterproof, dust resistant.
- The charging and discharging processes are controlled by the chip and provided with multi-protection, ensuring safety and high efficiency.

Main specification

| Specification | Unit | BW6200E | |
|--------------------------|-------|------------|----------------|
| Rated Voltage | V | 3.7 | |
| Rated Power | W | 3 | |
| Rated Capacity | Ah | 6.3 | |
| Illuminance (high / low) | At 1m | Lux | 10,600 / 3,200 |
| | At 3m | Lux | 1,600 / 500 |
| | At 5m | Lux | 550 / 140 |
| Runtime (high) | h | 9 | |
| Runtime (low) | h | 20 | |
| Service Life Of Bulb | h | 100,000 | |
| Recharge Time | h | 8-10 | |
| Effective Beam Distance | m | 130 | |
| Battery Recharge Cycle | Times | ≈1,000 | |
| Dimension | mm | 185×185×75 | |
| Net Weight | Kg | 0.85 | |

Drawing of dimension (Dimensions in mm)



BW6210 Multifunction Explosion Proof Searchlight



LED



Ex Code: Ex ib IIC T5
Standard: GB3836.1, GB3836.4
IEC60079-11:2006,MOD



Magnetic



**Head of the lamp
tilt:120°**

Application

It is widely used as mobile lighting in the power station, oil field, chemical industry, fire fighting, police, military and some other flammable and explosive or high stress environment.

Characteristics of Performance

- It adopts CREE LED light source with high luminous efficiency, 100,000 hours service life. Powered by rechargeable lithium battery, no memory effect, low discharge rate and environment friendly.
- Press the button for 2 seconds, the lamp will switch to flood beam mode which runtime can reach 55 hours.
- Equipped with magnetic base on the bottom, available adsorb to all kinds of iron material equipment
- The head of the searchlight is adjustable, within 120° according to the operator requirement.
- Small size and light weight, easy to carry.
- Light mode: High intensity light and low intensity light are switchable.
- Battery status indication and lower battery warning function. Operator can check the battery status at any time.
- The searchlight design has a large size handle and large button switch, easy to operate even with gloved hands.
- It is made of PC material, high strength body, have a good impact resistant performance. The searchlight is sealed to IP66.

Main specification

| Specification | Unit | BW6210 | |
|------------------------|----------------------|------------|---------|
| Rated Voltage | V | 3.7 | |
| Rated Capacity | Ah | 4.4 | |
| Light Source | Luminous flux | lm | 190 |
| | Average Service Life | h | 100,000 |
| Continuous Runtime | High | h | ≥8 |
| | Low | h | ≥40 |
| | Floodlight | h | ≥55 |
| Recharge Time | h | 10 | |
| Battery Recharge Cycle | Times | ≈1,000 | |
| Net Weight | Kg | 0.35 | |
| Dimension | mm | 193×74×115 | |

BW6610A Multifunction Explosion Proof light



LED



Ex Code: Ex de IIC T6
Standard: GB3836.1, GB3836.2, GB3836.3
IEC60079-1:2007,MOD
IEC60079-7:2006,MOD



Magnetic base



LED light source(CREE)



Charger

Application

This product is ideal for use in patrol, inspection, repairing and other night work tasks in explosive and flammable atmosphere.

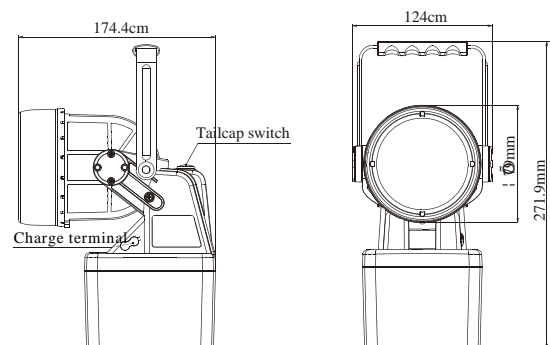
Characteristics of Performance

- Flame proof type of protection, approved for safe use in Potentially explosive gas, vapour and mist atmospheres. The head of the searchlight can give 135° vertical tilt so that operator can adjust the light to the desired location. Small size, light weight, easy to carry. It is portable, beside the magnetic base on the bottom, making the lamp can adsorb to all kinds of iron material equipment.
- The housing is made of imported PC material, drop resistant to 1 meter. It is sealed to IP66, suitable to be used in all kinds of high stress environment.
- Adopts CREE LED light source with high light efficacy and 100,000 hours service life. Use of the latest safety increased lithium-ion battery technology improves reliability and environment friendly.
- This product has battery status indication and low battery warning function, Operator can check the battery status at any time. Towards the end of discharge, the beam flashes off repeatedly, warning recharging is required.
- The charger is controlled by intelligent chip, with various protection function.

Main specification

| Specification | Unit | BW6610A |
|-------------------------|-------|-------------|
| Rated Voltage | V | 10.8 |
| Rated Power | W | 3×3W |
| Rated Capacity | Ah | 4.4 |
| Light Output (high/low) | lm | 810 / 465 |
| Effective Range | m | 600 |
| Runtime (high) | h | 7 |
| Runtime (low) | h | 13 |
| Recharge Time | h | 6~8 |
| Service Life Of Bulb | h | 100,000 |
| Battery Recharge Cycle | Times | ≈1,000 |
| Dimension | mm | 151×131×272 |
| Net Weight | Kg | 1.5 |

Drawing of dimension (Dimensions in mm)



ZW4100A Tracker Light BW4100B Explosion proof Tacker Light



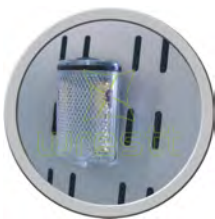
LED



Ex Code: Ex ia IIC T6
Standard: GB3836.1, GB3836.4
IEC60079-11:2006,MOD



Insurance clip



Magnetic base



Arm mounting

Application

It is ideal as a personal indicator to identify the position of workers, it also can serve as signal communication tools in all kinds of hazardous area such as construction, fire fighting, rescue etc.

Characteristics of Performance

- Intrinsically safe type of protection, can be safely used in various flammable and explosive fields (including Zone 0).
- Waterproof & Drop Resistant: Made of PC material, drop resistant to 1 meter.
- Runtime: Powered by two AAA battery. Continuous runtime can exceed 500 hours.
- Flexible&Convenience: Small size, Light weight, easy to operation. It is magnetic, can be attached to the iron surface.
- Ambient Temperature: -60°C-150°C.
- Color Available: The tracker light is available in the following five different colours according to customers requirements: red, blue, yellow, green, white.

Main specification

| Specification | Unit | ZW4100A / BW4100B |
|---------------------|------|-------------------|
| Rated Voltage | V | 3 |
| Current | μ A | <3 |
| Flashing Frequency | Hz | 2.7 |
| Max Impulse Current | mA | 80 |
| Dimension | mm | 70×47×39 |
| Net Weight | Kg | 0.1 |

Drawing of dimension (Dimensions in mm)

