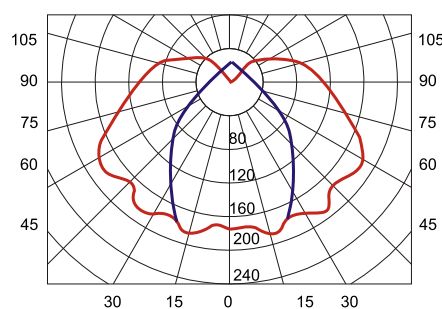




Explosive-proof grade: Ex edq II CT4
DIP A20TA,T6



Light Distribution Curve



Application

This product is widely applicable to the illumination for electric power, metallurgy and other large plant rooms.

Characteristics of Performance

- High efficiency T8 LED light source ensures 50% energy saving comparing with T8 fluorescent light source.
- Trapezium out shape combines with return air system design according to optical principles, featuring gentle light, even lighting, no dazzle or overshadow. It can effectively avoid visual fatigue caused to operators during the operation.
- The case use special high hardness light alloy material. The surface have been static electricity spraying.
- T5 fluorescent light source is available on request. It can provide 30% energy saving than T8 fluorescent
- There is connecting wire cavity in the lamp. Customers can connect the wire directly when install the lamp.
- Only open up the cover, customers can replace the bulb.
- We can Assembling emergency device.

T8 LED Main specification

Wattage (W)	1×8 / 2×8	1×16 / 2×16	Ex grade
Power Supply (V)	170V~250V		Ex edq II C T4 DIP A20 TA,T6
Luminous flux (lm)	880 / 1760	1760 / 3520	
Average Useful Time (h)	80000		
IP Grade	IP65		
Cable Diameter	φ 10mm~ φ 14mm		
Net weight	Single tube 5.4Kg		
	Double tube 6.1Kg		

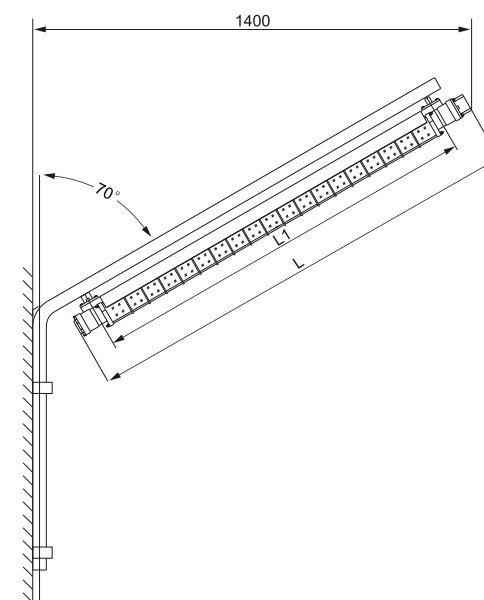
Specification of T5 fluorescent lamp with emergency function

Starting time in emergency	Charging time	Lighting time in Emergency
0.3S	24h	90min

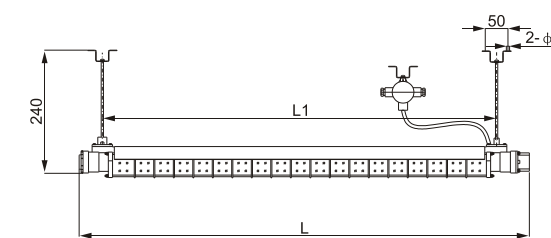
Ordering reference

Order Number	light source	Rated power (W)	Luminous flux (lm)	Average service life (h)	L	L1
BC5400-D-L1×8	T8LED	1×8W	880	80000	405	320
BC5400-D-L1×16	T8LED	1×16W	1760	80000	666	585
BC5400-S-L2×8	T8LED	2×8W	1760	80000	405	320
BC5400-S-L2×16	T8LED	2×16W	3520	80000	666	585
BC5400-D-Y1×14	T5 Fluorescent lamp	1×14W	1456	20000	797	615
BC5400-D-Y1×28	T5 Fluorescent lamp	1×28W	2912	20000	1407	1225
BC5400-S-Y2×14	T5 Fluorescent lamp	2×14W	2912	20000	797	615
BC5400-S-Y2×28	T5 Fluorescent lamp	2×28W	5824	20000	1407	1225
BC5400-D-Y1×14	Emergency	1×14W	1456	20000	797	615
BC5400-D-Y1×28	Emergency	1×28W	2912	20000	1407	1225
BC5400-S-Y2×14	Emergency	2×14W	2912	20000	797	615
BC5400-S-Y2×28	Emergency	2×28W	5824	20000	1407	1225

Drawing of dimension (Dimensions in mm)



Wall type(B1)



Suspender type(G)