

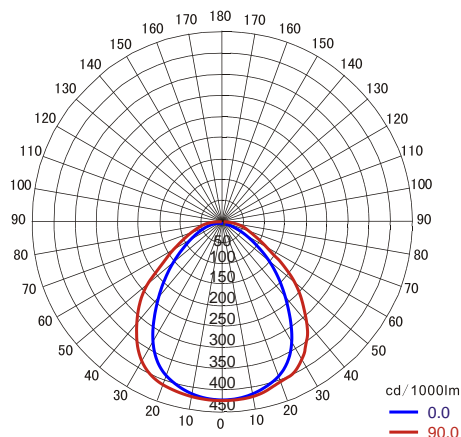
LED



Ex Code: Ex d IIB T6 Gb
Standard: GB3836.1, GB3836.2
IEC60079-1:2007,MOD



Light distribution curve



Application

The BC9101AB Series are approved for save use as emergency lamps in potentially explosive atmospheres such as petrol station, oil field, metallurgy, power station etc.

Characteristics of performance

- With its reflector which have different angles design, it efficiently utilize the light. Have a good performance of illuminance uniformity, glare free, can avoid eyestrain to the worker.
- It adopts American CREE LED as light source, can save 60% or more on energy than the metal halide lamp
- The housing is especially designed to dissipate heat, which increase the efficiency and lifespan of the LED, so that to ensure the 100,000 hours LED lifespan.
- BC9101 uses Taiwan Meanwell electrical appliance which's lifespan is top ranking in the world, power factor:0.98, has a highly stable performance.
- The adjustable locking device on the bracket can tightly fix the lamp to any desired angle, making the lamp resist to harsh vibration
- The anti corrosion, abrasion proof, power coated cover which is dust proof, water proof , make the lamp an excellent option for all kinds of high stress environment.
- Multiple mounting options including ceiling, pendent, wall etc.
- Adjustable mounting bracket enable the operator to choose mounting angle within 90° .
- The lamp can parallel connected , no need to use the junction box.

Main specification

Input Voltage	AC90 to 264V
Output Voltage	DC36-48V
Frequency	47-63Hz
Recharge Time	>5 hours
Ingress Protection	IP66
Anti Corrosion Grade	WF2
Insulation Grade	I
Space Height Ratio	4.5
Thread	G3/4"
Leading-in cable diameter	φ 8mm - φ 14mm
Dimension	326 × 326 × 75mm
Net Weight	5.5Kg

Ordering reference

Model No.	Type	Light Source	Emergency Wattage (W)	Normal illuminate Wattage (W)	Emergency Duration (minute)	Emergency Luminous Flux(lm)	Replace MH
BC9101A-L25-L15	Normal illuminate + Emergency	LED	15W	25W	120	2,134	35W
BC9101A-L40-L15			15W	40W	120	2,134	35W
BC9101A-L60-L15			15W	60W	120	2,134	35W
BC9101B-L15	Only Emergency	LED	15W	/	120	2,134	35W
BC9101A-L25-L25	Normal illuminate + Emergency	LED	25W	25W	70	3,300	70W
BC9101A-L40-L25			25W	40W	70	3,300	70W
BC9101A-L60-L25			25W	60W	70	3,300	70W
BC9101B-L25	Only Emergency	LED	25W	/	70	3,300	70W

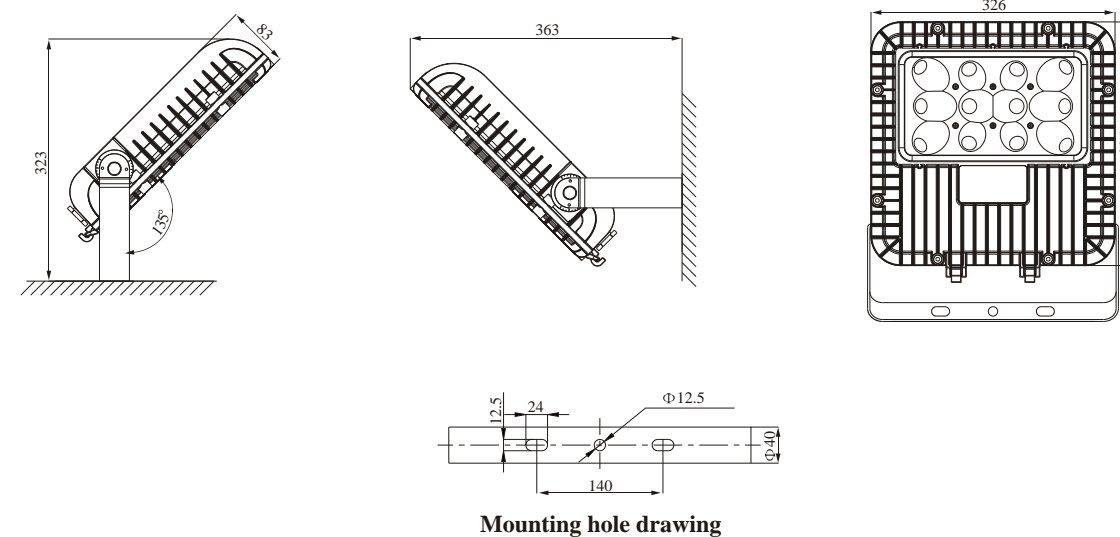
Remark:

BC9101A: Under normal condition, BC9101A will use normal external power to illuminate (its rated power can be made to 25w 40w 60w). In the case of power outage or in any situation where power is interrupted, this unit will automatically switch to battery backup (lamp wattage can be made to 15w 25w under emergency mode) which will power the unit for 120 or 70 minutes (15w: 120minutes, 25w: 70minutes).

BC9101B is only applied for emergency lighting when power outage, and on normal condition it is off.

If emergency switch is needed, please add "-K" behind the model No. for example: BC9101A-25-L25-K

Drawing of dimension (Dimensions in mm)



*MH: Metal halide lamp