



F: Parted install      Explosion-proof Ballast Box



Y: Integral install



L: Lamppost install

Explosive-proof grade: Ex d IIB T4/T3



### Application

This product is applicable to large area flood lighting in various explosive and flammable places, outdoor operation or construction sites, as well as places with devices and facilities.

1. Dangerous places in Zone 1, Zone 2 or Zone 21, Zone 22;
2. Grade IIA or IIB explosive gas environment or flammable dust environment.

### Characteristics of Performance

- High efficient famous brand light source with reliable performance ensures 20% brighter illumination than light source of other brand.
- Orange-figured reflection panel makes the light gentle and luminance angle large.
- Strong resistant to corrosion, water and dust, applicable to various harsh environments.
- Lateral cover is mounted on the lamp, enabling easy change of bulbs.
- The lamp can be mounted either in pedestal or on wall, adjustable within the angles of 45~90° .

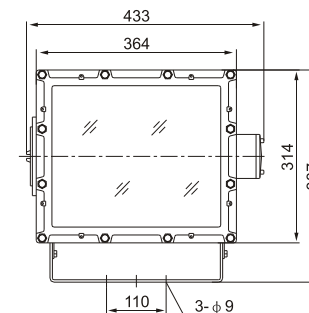
### Main specification

Rated voltage	AC220V / 50Hz		
Protection grade	IP65		
Corrosion-proofing grade	WF2		
Insulation grade	I		
Drop cable	φ 10mm~ φ 14mm		
Dimension of lamp	Light 433 × 387 × 202mm		
	Ballast Box 288 × 203 × 125mm		
Weight	Integral install	16.1Kg	
	Parted install	Light	9Kg
		Ballast Box	6.8Kg

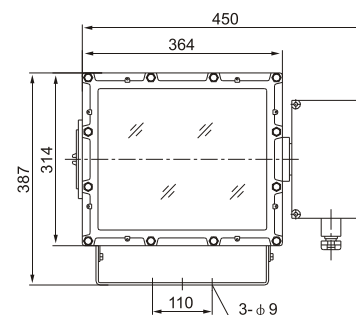
### Ordering reference

Order Number	Light source	Rated power (W)	Luminous flux (lm)	Average service life (h)
BC9130-J250	MH	250	25000	10000
BC9130-J400	MH	400	36000	10000
BC9130-N250	HPS	250	27500	28500
BC9130-N400	HPS	400	50000	28500

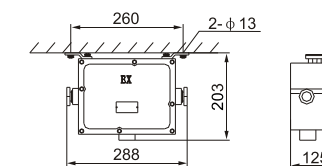
### Drawing of dimension (Dimensions in mm)



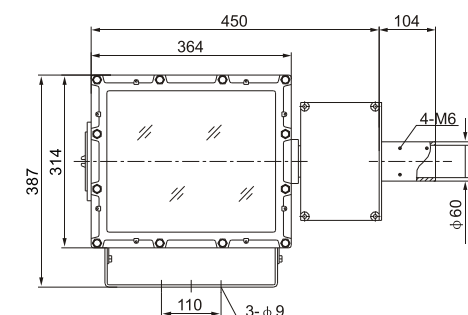
F: Parted install



Y: Integral install



Explosion-proof Ballast Box



L: Lamppost install

