

LED



Ex Code: Ex de II C T6
 Standard: GB3836.1, GB3836.3
 IEC60079-7:2007,MOD



Application

This product is approved for safe use in various explosive and flammable fields such as petroleum, chemical industry, metallurgy, etc.

Characteristics of performance

- Light Source: American CREE LED, save almost 90% on energy than the incandescent lamp and 60% on energy over the energy saving lamp.
- Long Service Life: with the average service life as long as 100,000 hours, maintenance free.
- Multi-voltage: 90 to 264VAC or 18 to 40V
- Feature: LED anti-dazzle lens, making the light more gentle, glare free. It will not cause weariness to the operators' eyes.
- The housing is made of aluminium alloy. With the surface electrostatic spraying treatment, it is anti corrosion.
- Multi-mounting options: Ceiling mounted, wall mounted etc.
- The PC transparency has a high light transmissivity, perfect impact resistance, designed to withstand the harsh industrial applications.

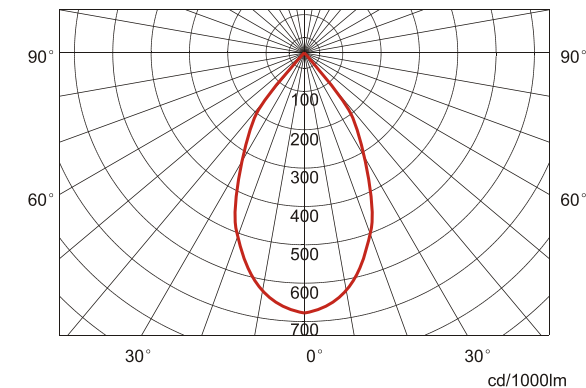
Main specification

Input Voltage	AC(90-264)V or AC/DC(18-40)V
Output Voltage	DC14-14.5V
Frequency	47-63Hz
Ingress Protection	IP65
Anti Corrosion Grade	WF2
Insulation Grade	I
Space Height Ratio	1.2
Leading-in cable diameter	φ 6mm - φ 8mm
Dimension	φ 147×140mm
Net Weight	1.3Kg

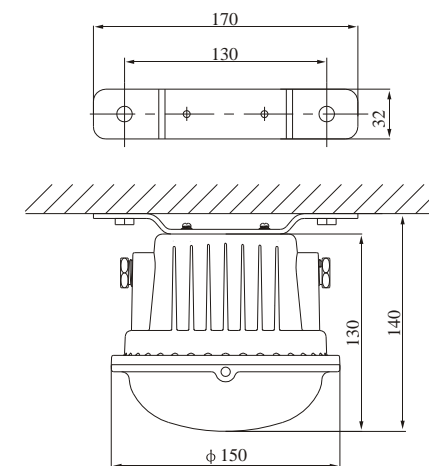
Ordering reference

Ordering Reference	Light Source	Wattage(W)	Luminous Flux (lm)	Replace
				CFL *
BC9200A	LED	4×3W	1,144	28W
BC9200B	LED	2×3W	572	18W
BC9200C	LED	2×1.5W	348	13W

Light distribution curve



Drawing of dimension (Dimensions in mm)



* CFL: Compact fluorescent lamp