



Explosion proof ballast box

### Application

This product is an ideal lighting solution for the explosive and flammable places, such as the petrochemical device, oil platform, gas station, oil pump station, oil transmission station, etc. Safe to use in Zone 1, Zone 2 explosive gas environment.

### Characteristics of performance

- World famous brand light source and electrical appliance, with stable performance. It can give more 20% light over the other manufacturers.
- The average service life of the bulb is over 10,000 hours .Therefore it is low maintenance.
- It uses dual-cavity explosion-proof design, making it safer in explosive and flammable places.
- The housing is made of aluminium alloy and have strong resistant to corrosion, water and dust, suitable to various harsh environments. The surface is subjected to the electro static treatment ,that enhance the anti corrosion performance.
- The protective guard is available.

### Other options:

#### Model: BC9320

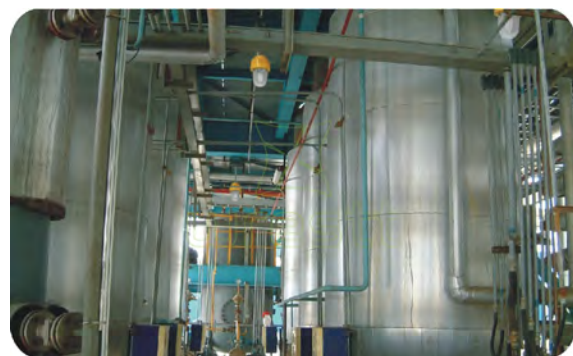
Light Source: Energy saving lamp (Compact Fluorescent Lamp) which can save almost 70% energy than the incandescent lamp.

Feature: quick start, no flicker, high efficiency and long service life.

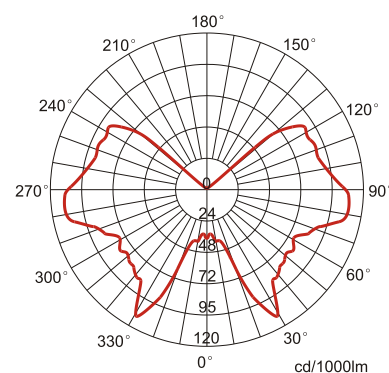
### Main specification

Input Voltage	AC220V 50Hz (60Hz Option)
Ingress Protection	IP65
Anti Corrosion Grade	WF2
Insulation Grade	I
Space Height Ratio	2.5
Thread	G3/4"
Leading-in cable diameter	φ 8mm - φ 14mm
Dimension	Lamp φ 200 × 315mm
	Ballast 340 × 220 × 88mm
Net Weight	Lamp 5.2Kg
	Ballast 5.3Kg

Ex Code: Ex d II C T6  
Ex d II C T5  
Ex d II C T4  
Standard: GB3836.1, GB3836.2  
IEC60079-1:2007,MOD



### Light distribution curve

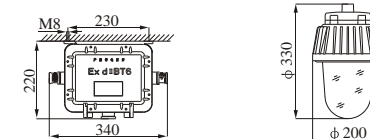


### Ordering reference

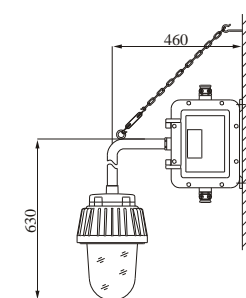
Ordering Reference	Light Source	Wattage (W)	Luminous Flux (lm)	Lamp Average Life (h)	Temperature
BC9300-J70	MH	70	5,500	10,000	T5
BC9300-J100	MH	100	9,000	10,000	T4
BC9300-J150	MH	150	13,000	10,000	T4
BC9300-N70	HPS	70	6,000	28,500	T5
BC9300-N100	HPS	100	9,600	28,500	T4
BC9300-N150	HPS	150	16,000	28,500	T4
BC9320-Y40	CFL*	40	2,860	8,500	T4

### Drawing of dimension(Dimensions in mm)

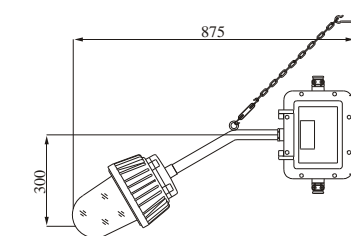
#### Model BC9320 Without Ballast Box



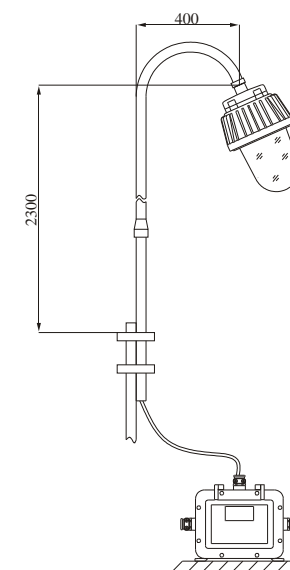
Explosion proof ballast box



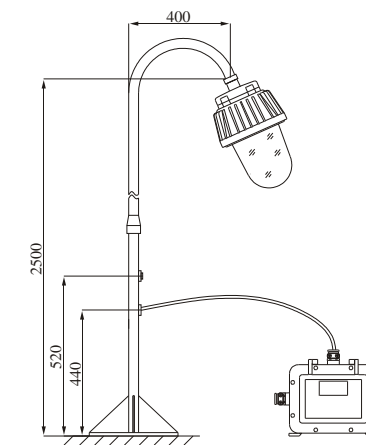
B1 (90°)



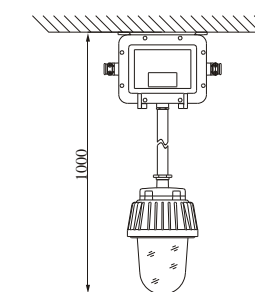
B2 (30°)



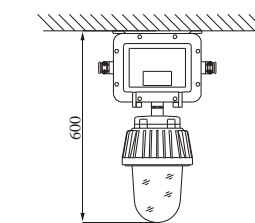
H



F



D



X

\* CFL: Compact Fluorescent Lamp