



Leather bag



OSRAM bulb



Charger

Application

It is used for the repairing, inspection, patrol, rescue and other night work takes.

Characteristics of Performance

- Small size, high light and low light are switchable easily. It is portable, also can be carried by shoulder strap with a leather holster.
- It is made of ABS material, resistant to harsh impact and water proof.
- Adopts world famous brand light source, with high light efficacy and long service life. The searchlight is shock proof and has a stable performance. Powered by nickel cadmium battery which is expect to prolong the battery life and increase safety.
- The recharging is controlled by chip with quick recharging, over charged protection, short circuit protection and battery recharge level indicator function etc.

Main specification

Specification	Unit	TM-2105B
Rated Voltage	V	6
Rated Power	W	25
Rated Capacity	Ah	5.5
Light Output (high)	lm	1,300
Light Output (low)	lm	650
Effective Beam Range	m	650
Runtime (high)	h	>1.5
Runtime (low)	h	4
Recharging Time	h	10-12
Service Life Of Bulb	h	≥1,200
Battery Recharge Cycle	Times	≈1,000
Dimension	mm	φ 123×200
Net Weight	Kg	1.2

ZW3100B Multi-funcation Large power Work Lamp

ZW3100C High-intensity HID Work Lamp



ZW3100B

ZW3100C



Tripod (optional)



Rotary switch



Charging socket



Track wheel



HID light source



Charger

Application

This product is widely used as mobile lighting for all kinds of night work tasks, repairing, inspection, construction, and accident relief etc.

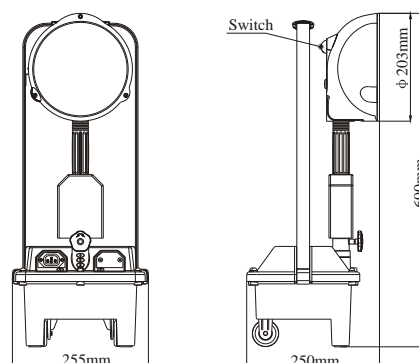
Characteristics of Performance

- The housing is made of PC and aluminium alloy, can stand strong impact. It is waterproof
- ZW3100B: halogen bulb, the high intensity light and low intensity light are switchable.
- ZW3100C adopts HID light source, which give 4 times more light than the halogen bulb.
- The head of the lamp can be rotated 360° horizontally and 135° vertically.
- Tripod is optional. The tripod is extendable within 1.2-3 meters.
- The wheel is optional, it enable the lamp move easily on the rail.

Main specification

Specification	Unit	ZW3100B	ZW3100C
Rated Voltage	V	24	12
Rated Power	W	100 / 35	35
Rated Capacity	Ah	12	24
Light Output (high/low)	lm	2,500 / 850	3,200
Runtime (high/low)	h	3.5 / 10	8
Recharging Time	h	9	9
Service Life Of Bulb	h	≥1,200	10,000
Battery Recharge Cycle	Times	≈1,000	≈1,000
Dimension	mm	255×250×610	255×250×610
Net Weight	Kg	13.5	13.5

Drawing of dimension (Dimensions in mm)



IP66

-20°C

+50°C



Application

It is ideal to be used in the wild, road or on the sea for searching, patrol, rescue etc.

Characteristics of Performance

- ZW3320A and ZW3320B use HID super-white light source, which has high light efficacy and low power consumption. It saves 25% energy than the normal light source. The average service life is above 12,000hours. Reduce the maintenance cost.
- Imported high-purity aluminum reflector that adopts professional light distribution design promote the reflection efficiency, and extend the lighting distance.
- Wireless remote control mode. The lamp can be operated within 30meters by the remote control.
- The searchlight gives a full 360° horizontal rotation, 180° vertical tilt.
- A magnet base is attached to the bottom of the lamp. That enable the lamp can fitted on the top of the vehicle. It can meet needs of car driving speed at 80KM/h.
- Its lightweight and small size make the light easy to handle and save lots of space. When press the reset button on the remote controller, the lamp will fold automatically.
- 220V power converter or 12V/24V reserved battery are optional as input power supply according to the customers' requirement .



Main specification

Specification	Unit	ZW3320A	ZW3320B	ZW3320C
Rated Voltage	V	DC(9-28V)	DC(9-28V)	12V
Light Source	W	35W	45W	100W
Light Output	lm	3,200	4,100	2,500
Service Life Of Bulb	h	12,000	12,000	1,000
Remote Charge Distance	m	30		
Horizontal Turning Angle	Degree	0-360		
Vertical Turning Angle		0-180		
Dimension	mm	370×315×187		
Net Weight	Kg	4.6	4.6	4.5

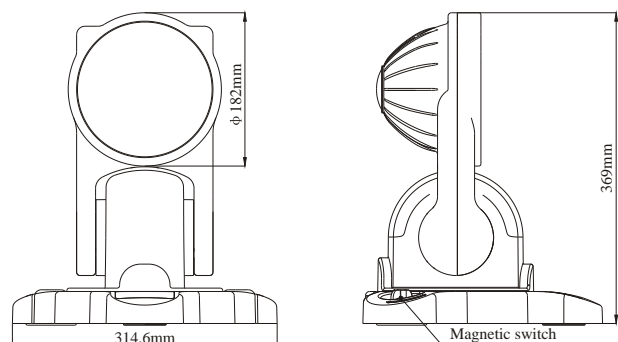


Adaptor



Controller

Drawing of dimension



HID

IP67

-20 °C

+50 °C



Application

It is an efficient lighting tools for use in military, petrochemistry, oil field, customs inspection, police, patrol, rescue relief, railway, fire fighting etc.

Characteristics of Performance

- High Range: The effect beam distance of the super white light reaches above 3,500meters. Ideal for long-range searching at night.
- Flexible & Convenient : It is portable, besides it can be also carried with searchlight holster and shoulder carrying strap.
- Waterproof and durable: Made of imported PC material. The optimal designed structure made the searchlight waterproof, dust proof.
- Safe& Environment Friendly: Use the latest lithium-ion technology improves the service life and eliminates ' memory ' affect.
- Intelligent charging : The charger is controlled by the chip. It is protected against over-charging, over-discharging and short circuit. It will switch to trickle charging automatically when the battery is fully charged. State of battery charge is indicated with the colored lights on the charger.
- Pressing switch, easy to handle.

Main specification

Specification	Unit	ZW6100J
Rated Voltage	V	14.8
Rated Power	W	35
Rated Capacity	Ah	4.4
Light Output (high)	lm	3,200
Effective Beam Range	m	3,500
Runtime	h	1.8
Charging Time	h	7
Service Life Of Bulb	h	10,000
Dimension	mm	φ 123 × 205
Net Weight	Kg	1.4



Switch



Leather bag

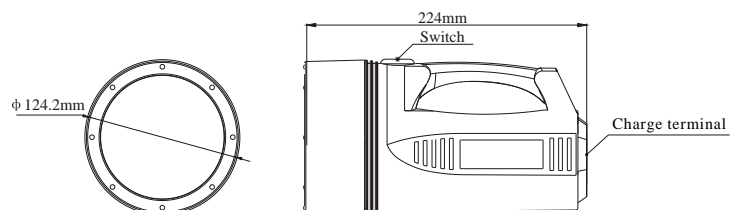


HID light source



Charger

Drawing of dimension (Dimensions in mm)



ZW6220 Hand-recharge Inspection Searchlight



LED

IP66

-20 °C

+50 °C



Magnetic



Lamp head rotation



Available to charge mobile battery



Hand recharge

Application

This product is suitable for inspection, repairing, rescue, and some other night work tasks.

Characteristics of Performance

- This unit have hand recharge function which meet the customer's quick recharge requirement. It can also charge your mobile phone.
- Adopt CREE LED as light source with high luminous efficiency, 100,000 hours service life. Powered by rechargeable lithium battery, no memory effect, low discharge rate and environment friendly.
- Press the button for 2 seconds, the lamp will switch to floodlight mode which runtime can reach 55 hours.
- Equipped with magnetic base on the bottom, available adsorb to all kinds of iron material equipment, making it more convenience for the operator to work.
- The head of the lamp is adjustable, 120° tilt.
- The unit is small size and light weight, easy to carry.
- High light and low light are switchable easily.
- The unit has battery status inspection function and low battery warning function. User can check the battery level at any time. The searchlight design has a large size handle and large button switch, easy to operate even with gloved hands.
- The fluorescent material rubber plug on the bottom of the lamp can serve as a personal indicator and safety warning function.
- It is made of PC material, high strength body and sealed to Ip66.

Main specification

Specification		Unit	ZW6220
Rated voltage		V	3.7
Rated capacity		Ah	4.4
Light source	Light Output	lm	190
	Average service life	h	100,000
Searchlight runtime when hand recharge for 1 minute		min	30
Runtime	High light	h	≥ 8
	Working light	h	≥ 40
	Floodlight	h	≥ 55
Recharging time		h	8
Battery recharge cycle		Times	≈ 1,000
Net weight		Kg	0.35
Dimension		mm	193 × 74 × 115

LED



Application

This product is suitable to be used for the repairing, police, military, and other night work tasks. It can also be used for signal communication and personal indicator to identify the worker's position.

Characteristics of Performance

- It adopts CREE LED light source. Its beam range can reach 50meters.
- It is sealed to IP67, water proof to 1 meter. Powered by lithium battery which provide a long service life and low discharge performance.
- Light mode: white worklight and strobe light. The strobe light's effective beam distance can exceed 5000meters.
- This product has battery status indication and low battery warning function, Operator can check the battery status at any time. Towards the end of discharge, the beam flashes off repeatedly, warning recharging is required.
- The flashlight cover has anti skidding treatment. And it is designed for easy storage in pocket.
- The recharging and discharging is controlled by the chip with multiple protection.

Main specification

Specification	Unit	BW7300D
Rated Voltage	V	3.7
Rated Power	W	1
Rated Capacity Of Battery	mAh	2,200
Light Output	lm	190
Effective Beam Range	m	80
Runtime	h	6
Recharging Time	h	6
Service Life	h	100,000
Dimension	mm	φ 28 × 130
Net Weight	g	118



Tail switch



LED light source(CREE)

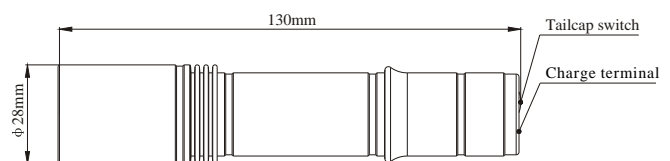


Angle adjustable buckle



Charger

Drawing of dimension (Dimensions in mm)



ZW7600 Railway LED Signal Flashlight



LED

IP65

-20 °C

+50 °C



Three-colour



Tail light



Portable



Charger

Application

It is used at railway, aviation and other transportation area and some special fields, serving as signal indication, safety warning and normal illumination.

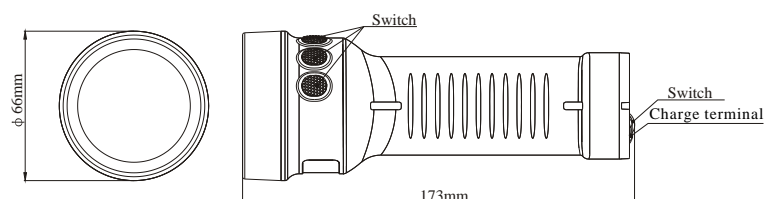
Characteristics of Performance

- It uses CREE LED light source, with 100,000hours service life. The reflector adopts hi-tech surface finishing technology, make sure a high light reflectivity. The effective beam range can exceed 100 meters. Any two of the red, yellow, green light can be chosen as signal light. Its colored signal light's beam distance can reach 5,000meters.
- It is sealed to IP65 preventing the ingress of water; The housing is made of PC material, drop resistant to 1 meter. It can withstand high and low temperature suitable to be used in all kinds of harsh environment.
- The rear light on its tail is ideal as a personal indicator to identify the position of the users. It eliminates the danger and ensure the user's safety in the dark.
- Use of the latest large bulk capacity lithium-iron battery with long service life improves reliability and eliminates 'memory' affect.
- Easy to carry.

Main specification

Specification	Unit	ZW7600	
Rated voltage	V	3.7	
Rated capacity	mAh	4,400	
Current	White Worklight	380	
	Signal light	120	
	Real light on the tail	20	
Light Output		lm	170
Runtime	White worklight	h	≥10
	Signal light	h	≥30
Recharging time		h	12
Service Life		h	100,000
Battery Recharge Cycle		Times	≈1000
Dimension	External diameter	mm	φ 66
	Length		172
Net weight		g	265

Drawing of dimension (Dimensions in mm)



LED

IP65

-20 °C

+50 °C



Application

It is used at railway, aviation and other transportation area and some special fields, serving as normal illumination and emergency lighting.

Characteristics of Performance

- It uses CREE LED light source, with 100,000hours service life. The reflector adopts hi-tech surface finishing technology, enable a high light reflectivity. The beam range can exceed 100 meters.
- It is sealed to IP65 preventing the ingress of water; The housing is made of PC material, drop resistant to 1 meter. It can withstand high and low temperature suitable to be used in all kinds of harsh environment.
- The rear light on its tail is ideal as a personal indicator to identify the position of the users. It eliminates the danger and ensure the user's safety in the dark.
- Use of the latest large bulk capacity lithium-iron battery with long service life improves reliability and eliminates 'memory' affect.
- Easy to carry..

Main specification

Specifiatoin		Unit	ZW7610
Rated voltage		V	3.7
Rated capacity		mAh	4400
Current	Work Light	mA	380
	Rear light on the bottom		20
Light Output		lm	170
Effective beam range		m	120
Average serive life		h	100,000
Runtime		h	≥ 10
Recharging time		h	12
Battery Recharge Cycle		Times	≈ 1000
Dimension		mm	φ 66 × 172
Net weight		g	265



LED light source(CREE)



Tail light

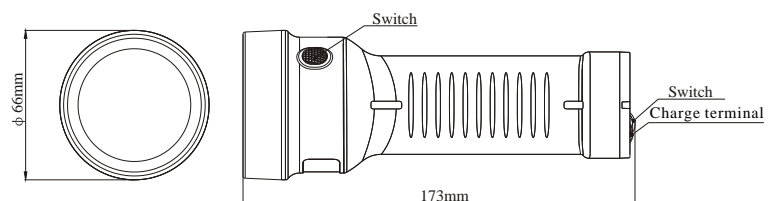


Portable



Charger

Drawing of dimension (Dimensions in mm)



ZW7710, ZW7710A LED Flashlight



LED



Application

It is widely used in the public security department, railway, military, police, transportation, civil aviation, inspection and customs preventive officer etc.

Characteristics of Performance

- The flashlight has a special attack head design. It is perfect for security defense. It is also anti skidding.
- It uses CREE LED light source ,with long life span. It is high efficiency and environment friendly.
- The flashlight have three modes as high/low/ strobe. The user feel free to transfer between these modes.
- The flashlight is well sealed, water proof to 1 meter. Its high strength aluminium alloy housing makes the flashlight resist to harsh impact.
- Recharging and discharging are controlled by intelligent chip, safe and efficient, with various protection.
- ZW7710 equipped with two chargers, AC220V charger and 12V car charger
- Generally, ZW7710A don't have 12V car charger, We can provide 12V car charger for ZW7710A as customer's requirement.

Main specification

Specification	Unit	ZW7710	ZW7710A
Rated voltage	V	3.7	3.7
Rated power	W	3	1
Rated capacity	Ah	2.2	2.2
Light Output (High)	lm	≥248	≥110
Light Output (Low)	lm	≥95	≥70
Runtime (High)	h	≥3	≥9
Runtime (Low)	h	10	19
Recharging Time	h	6	6
Effective Beam Range	m	200	120
Service Life	h	100,000	100,000
Battery Recharge Cycle	Times	≈1,000	≈1,000
Diension	mm	φ 35×150	φ 35×150
Net weight	g	190	190

LED light source(CREE)



Side switch



Recharge hole



Attacker



Charger



Package



Drawing of dimension (Dimensions in mm)

