

LED

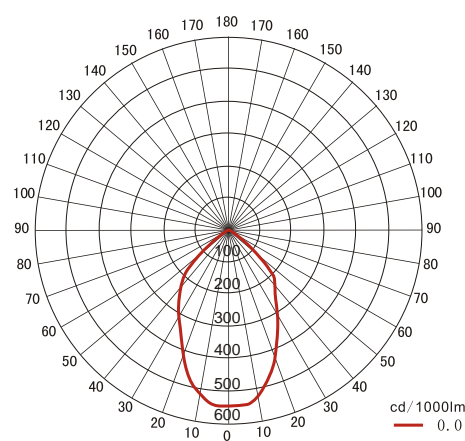
IP66

-40°C

+50°C



Light distribution curve



Application

It is an ideal lighting solution for the factory, station, tunnel, control room, transformer room and some other indoor places with low bay roof.

Characteristics of performance

- The unit efficiently utilize the light, utilization rate can reach 97%. Besides, it has a good performance of illuminance uniformity, glare free, can avoid eyestrain to the worker.
- Vane type structure housing accelerate the heat dissipation, so that to ensure the LED service life.
- It adopts American CREE LED as light source, can save 60% or more on energy than the metal halide lamp
- Equipped world top ranking brand electrical appliance, make the lamp's performance more stable and efficient.
- The unit have excellent electromagnetic compatibility, will not cause interference to the other device or the electric power transmission network.
- The anti corrosion, abrasion proof, power coated cover which is dust proof, water proof , make the lamp an excellent option for all kinds of high stress environment.

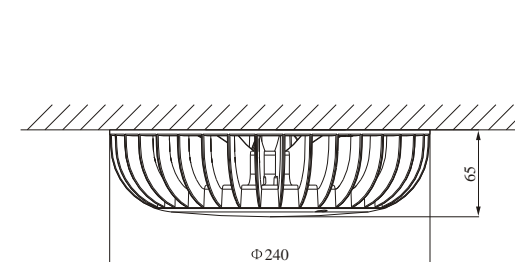
Main specification

Input Voltage	AC90 to 264V
Output Voltage	DC18-28V
Frequency	47-63Hz
Ingress Protection	IP66
Anti Corrosion Grade	WF2
Insulation Grade	I
Space Height Ratio	2
Leading-in cable diameter	φ 6mm - φ 8mm
Dimension	φ 240 × 65mm
Net Weight	1.4Kg

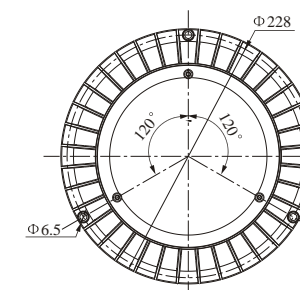
Ordering reference

Ordering Reference	Light Source	Wattage (W)	Luminous Flux (lm)	Replace			
				MH*	Induction lamp	CFL*	Fluorescent lamp
ZY5301-L10	LED	10	1,356	/	30W	36W	1×36W
ZY5301-L25	LED	25	3,300	70W	60W	2×36W	2×36W
ZY5301-L40	LED	40	4,890	100W	100W	120W	2×36W

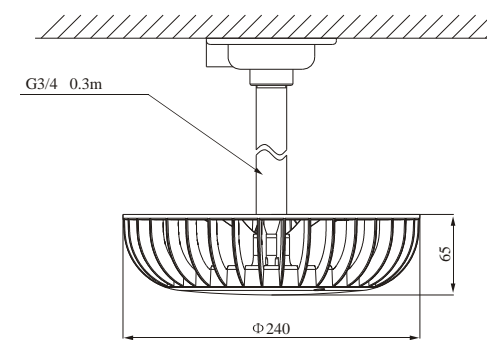
Drawing of dimension (Dimensions in mm)



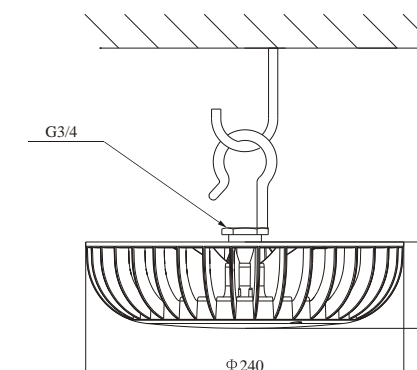
X (Standard)



"X" Mounting hole drawing



D (Optional)



G (Optional)

*MH: Metal halide lamp
*CFL: Compact fluorescent lamp