

LED

IP66

-40°C

+50°C



Application

It is an ideal lighting solution for the factory, station, tunnel, control room, transformer room and some other indoor places with low bay roof.

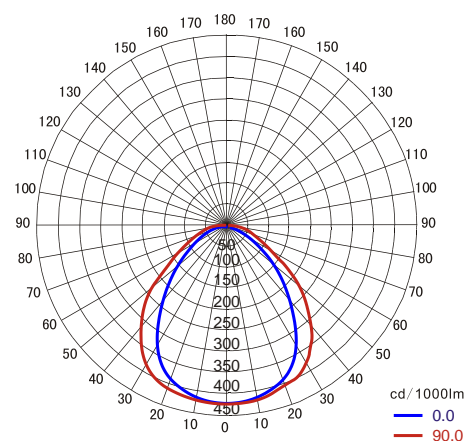
Characteristics of performance

- With its reflector which have different angles design, it efficiently utilize the light. Have a good performance of illuminance uniformity, glare free, can avoid eyestrain to the worker.
- It adopts American CREE LED as light source, can save 60% or more on energy than the metal halide lamp.
- Efficient radiator effective solve the LED light failure caused by temperature rising, so as to ensure that LED life up to 100,000hrs.
- Equipped with world top ranking brand, Taiwan Meanwell electrical appliance with power factor 0.98, make the lamp's performance more stable and efficient.
- The locking device on the bracket will keep the lamp from shift or trembling during harsh vibration.
- The housing adopts high-tech surface spraying technology, abrasion resistance corruption, waterproof, dustproof, suitable to be used in all kinds of environments.
- Easy to install and maintenance.

Main parameter

Input Voltage	AC90 to 305V
Output Voltage	DC36-48V
Frequency	47-63Hz
Ingress Protection	IP66
Anti Corrosion Grade	WF2
Insulation Grade	I
Space Height Ratio	4.5
Leading-in cable diameter	φ 6mm - φ 8mm
Dimension	300 × 300 × 75mm
Net Weight	4.7Kg

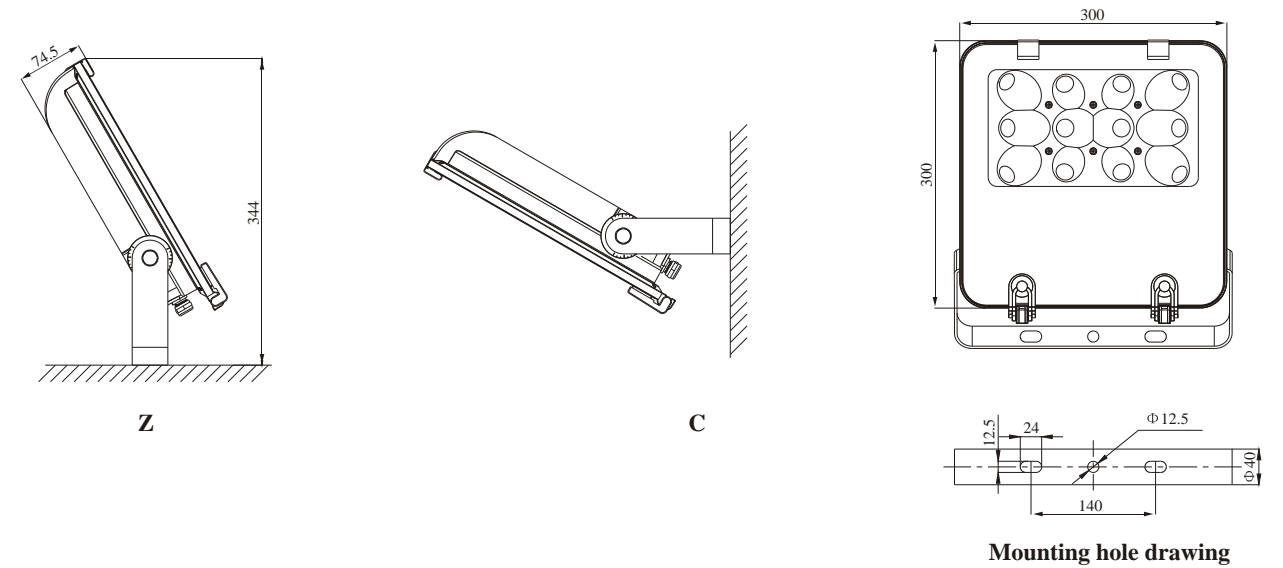
Light distribution curve



Ordering reference

Ordering Reference	Light Source	Wattage (W)	Luminous Flux (lm)	Replace			
				MH*	Induction lamp	CFL*	Mercury lamp
ZY8101-L25	LED	25	3,300	70W	60W	80W	80W
ZY8101-L40	LED	40	5,412	100W	100W	130W	125W
ZY8101-L60	LED	60	8,138	150W	135W	180W	175W
ZY8101-L80	LED	80	9,168	175W	165W	/	250W

Drawing of dimension (Dimensions in mm)



*MH: Metal halide lamp
*CFL: Compact fluorescent lamp