

Application

It is ideal to use in the factory , railway , station,workshop,large storage, gym and any other indoor or outdoor places as floodlight illumination.

Characteristics of performance

- Light source: electrodeless lamp, can save 80% energy comparing with incandescent lamp of the same wattage.
- Long service life: 80,000 hours bulb lifetime. Free maintenance.
- Available to work on the wide voltage range, can be instantly started.
- Buckle design for easy installation and simple maintenance.
- The shell made of high-strength aluminum alloy, special sealing strip and the surface and high-pressure electrostatic coating treatment make the lamp waterproof, dustproof, can be use in all kinds of corrosive environment.
- Different kinds of mounting options: ceiling mounted, wall mounted etc. The illumination angle is adjustable within 180 degrees.

Main specification

Input Voltage	AC220V 50Hz (60Hz Optional)
Ingress Protection	IP65
Anti Corrosion Grade	WF2
Insulation Grade	I
Space Height Ratio	1.5
Leading-in cable diameter	φ 6mm - φ 8mm
Dimension	370 × 279 × 136mm
Net Weight	3.5Kg

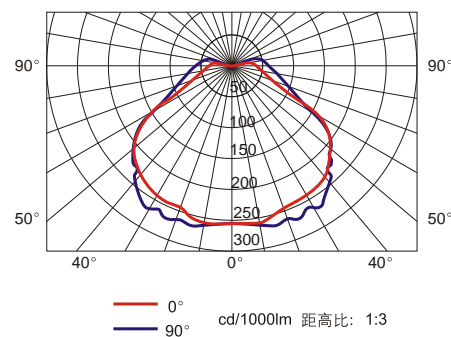
IP65

-40°C

+50°C



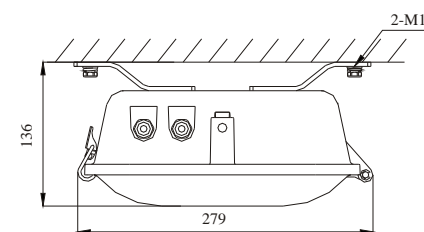
Light distribution curve



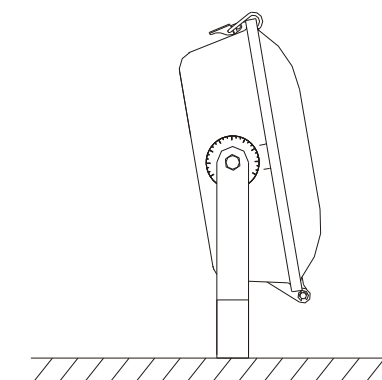
Ordering reference

Ordering Reference	Light Source	Wattage (W)	Luminous flux (lm)	Lamp average life (h)
ZY8130-W40	Induction lamp	40	3,200	80,000

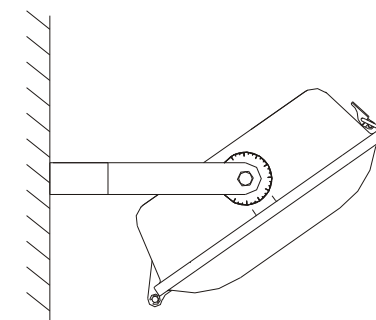
Drawing of dimension (Dimensions in mm)



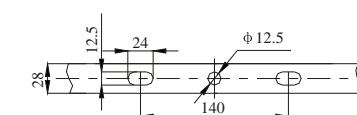
X (Optional)



Z (Standard)



B (Standard)



Mounting hole drawing