

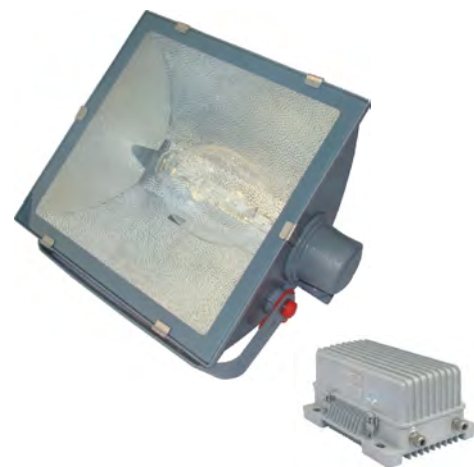
IP65

-40°C

+50°C



E40



Application

This product is ideal to use as floodlighting in pathway, electric power, gas station, rail way, large plant, workshop, square, parking lot and any other public places.

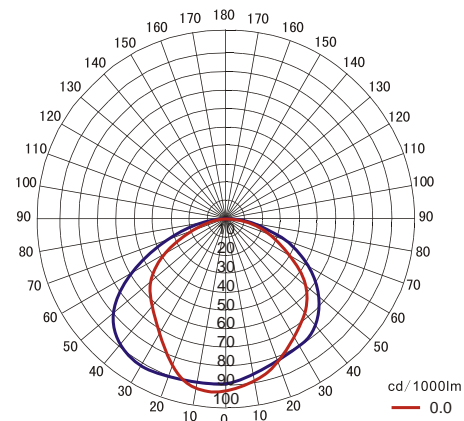
Characteristics of performance

- Adopts famous international brand light source with stable performance, gives 20% more light over the other manufacturers.
- Average light source lifetime is 12000 hours. Low maintenance.
- Anodic aluminum oxide reflector ensure higher light efficacy and less glare.
- Multiple anti corrosion structure and the high strength aluminium alloy housing ensure the lamp can work for a long time in the high frequency vibration atmosphere.
- The ballast box is separated from the lamp. With the sizable finned stripe on the housing, it guarantee the ballast box a higher heat dissipation which is expect to prolong the ballast service life.
- The buckle replacing the screws design on the housing, making it more easy to open the ballast box by hand.
- Various mounting options. Wall mounting, ceiling mounting etc. Customer can adjust the lamp within 120° according to the application.

Main specification

Input Voltage	AC220V 50Hz (60Hz Optional)
Ingress Protection	IP65
Anti Corrosion Grade	WF2
Insulation Grade	I
Space Height Ratio	2.2
Leading-in cable diameter	φ 8mm - φ 10mm
Dimension	Lamp 512 × 500 × 260mm
	Ballast 325 × 215 × 150mm
Net Weight	Lamp 7.5Kg
	Ballast 13Kg

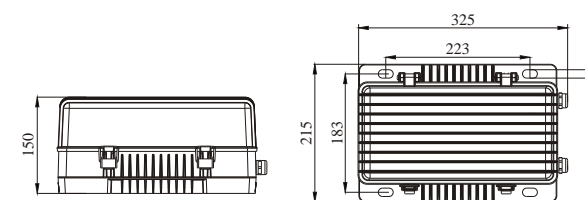
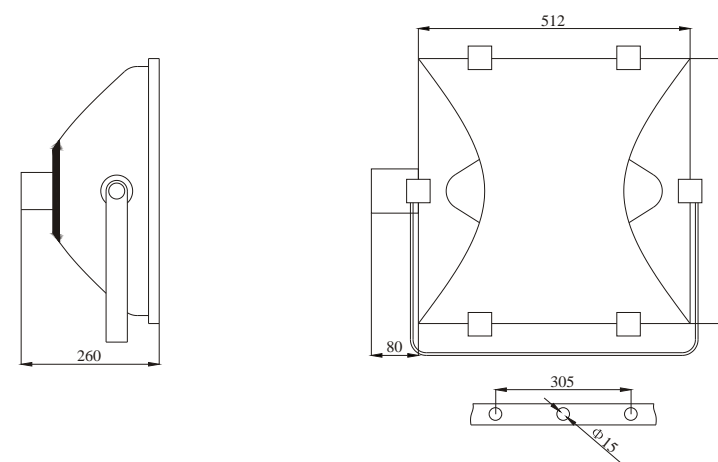
Light distribution curve



Ordering reference

Ordering Reference	Light Source	Wattage (W)	Luminous flux (lm)	Lamp Average Life (h)
ZY8220-J1000	MH	1,000	105,000	12,000
ZY8220-N1000	HPS	1,000	140,000	30,000

Drawing of dimension (Dimensions in mm)



Ballast