

### Application

This product is ideal to use as spotlighting in all kinds of plant ,workshop, construction site, electric power station, and some other indoor and outdoor site.

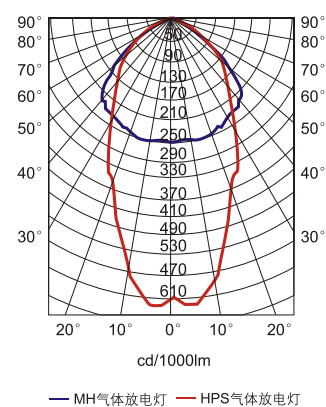
### Characteristics of performance

- Adopts famous international brand light source with stable performance, gives 20% more light over the other manufacturers.
- Average light source lifetime is 12000 hours. Low maintenance.
- The special device on the bottom of the lamp can allow the air get inside so that to balance the internal and external pressure differential and eliminate the water vapor condensation inside the lamp.
- The shock proof structure can avoids the break of bracket as well as bulb falling off from the lamp when there is intense shock.
- The ballast box is separated from the lamp. With the sizable finned stripe on the housing, it guarantee the ballast box a higher heat dissipation which is expect to prolong the ballast service life.
- The buckle replacing the screws design on the housing, making it more easy to open the ballast box by hand.
- Light weight aluminum alloy with latest spray coating technique. Anti rust, corrosion resistant. Ideal for any extreme condition.
- The binding technique on the edge of the housing are expected to enhance the waterproof, dust proof characteristics.
- We can also supply shock absorber according to customer's requirement. So that to guarantee the lamp safety during the usage on vehicle or other device where there are harsh vibration.

### Main specification

Input Voltage	AC220V 50Hz (60Hz Optional)
Ingress Protection	IP65
Anti Corrosion Grade	WF2
Insulation Grade	I
Space Height Ratio	2.2
Leading-in cable diameter	φ 8mm - φ 10mm
Dimension	Lamp φ 526 × 615mm
	Ballast 325 × 215 × 150mm
Net Weight	10Kg
	17.7Kg

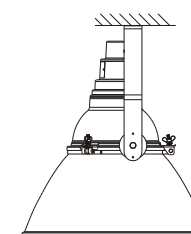
### Light distribution curve



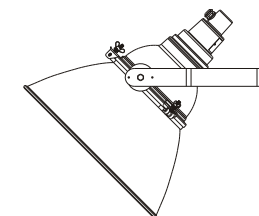
### Ordering reference

Ordering Reference	Light Source	Wattage (W)	Luminous flux (lm)	Lamp Average Life (h)
ZY8300-J1000	MH	1,000	105,000	12,000
ZY8300-N1000	HPS	1,000	140,000	28,500

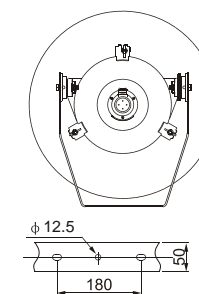
### Drawing of dimension (Dimensions in mm)



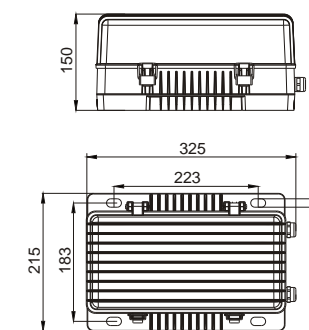
X



B



Mounting hole drawing



Ballast Box