

LED

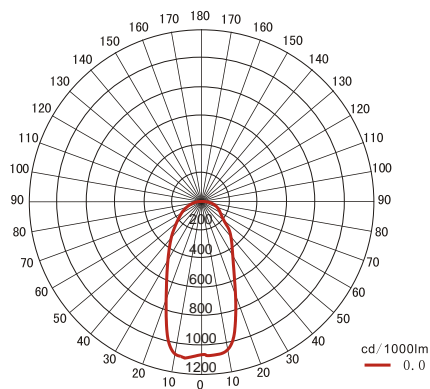
IP66

-40°C

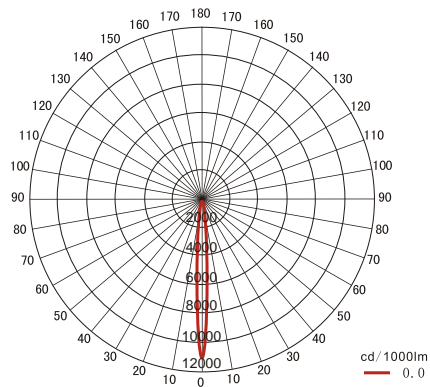
+50°C



Light distribution curve



Flood



Spot

Application

It can be used as spotlight in factory, construction site and some other indoor or outdoor places.

Characteristics of performance

- It efficiently utilize the light to 95%.Glare free, have a good performance of illuminance uniformity. Operator can choose the beam angle according to the application.
- It adopts American CREE LED as light source, can save 60% or more on energy than the metal halide lamp
- The light source is separated from the electrical appliance. This split style with the high efficiency radiator have solved the heating-up problem so that ensure the 100,000 hours LED lifespan.
- Equipped with world top ranking brand, Taiwan Meanwell electrical appliance with power factor 0.98, make the lamp's performance more stable and efficient
- The locking device on the bracket will keep the lamp from shift or trembling during harsh vibration.
- The housing adopts high-tech surface spraying technology, abrasion resistance corruption, waterproof, dustproof, suitable to be used at all kinds of environments.
- Easy maintenance.
- Floodlight beam angle is available according to customers' requirement.

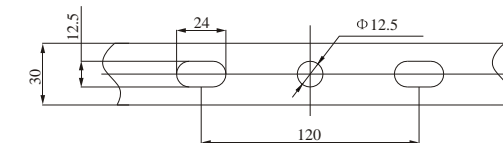
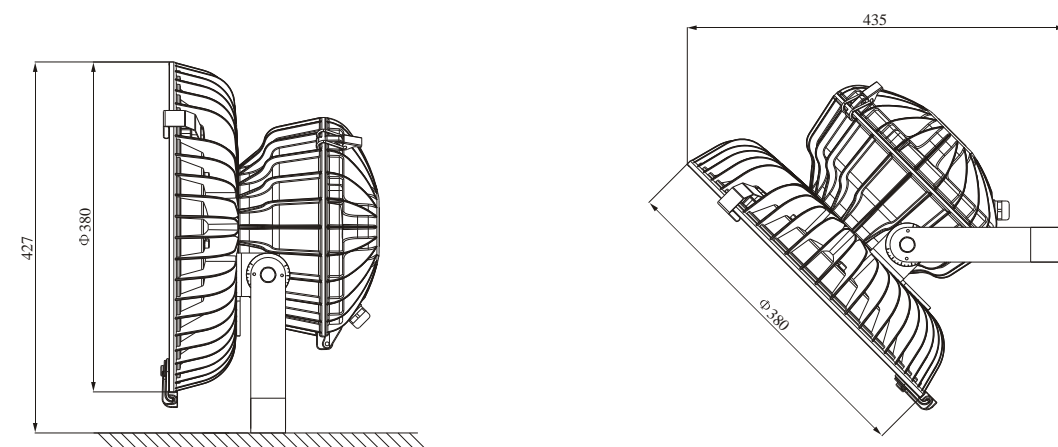
Main specification

Input Voltage	AC90 to 305V
Output Voltage	DC27-54V
Frequency	47-63Hz
Ingress Protection	IP66
Anti Corrosion Grade	WF2
Insulation Grade	I
Space Height Ratio	1.8
Thread	G3/4"
Leading-in cable diameter	φ 10mm - φ 12mm
Dimension	φ 380 × 268.5mm
Net Weight	8Kg

Ordering reference

Ordering Reference	Light Source	Luminous Flux (lm)	Luminous (lm)	Replace		
				MH*	Induction lamp	HPM*
ZY8302-L60	LED	60	7,225	150W	135W	175W
ZY8302-L80	LED	80	10,016	175~250W	165W	250W
ZY8302-L100	LED	100	11,568	250W	200W	250~400W
ZY8302-L120	LED	120	12,640	250~400W	250W	400W

Drawing of dimension(Dimensions in mm)



Mounting hole drawing

* MH: Metal halide lamp
* HPM: High pressure mercury lamp