

LED

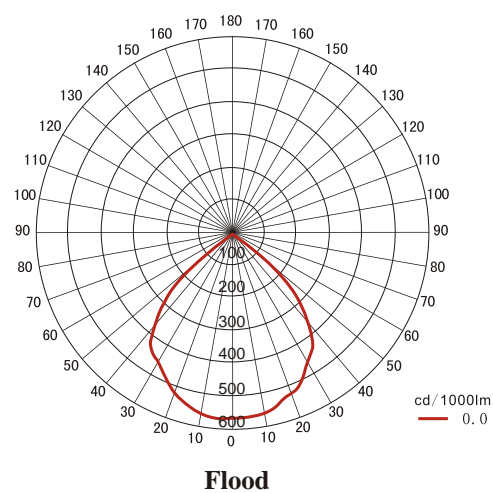
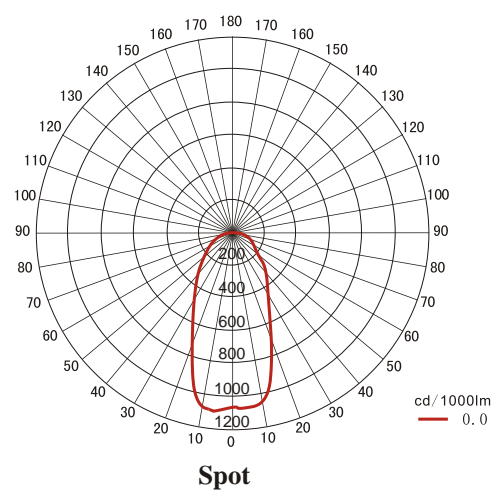
IP66

-40°C

+50°C



Light distribution curve



Application

The product is suitable for use in power station, petrochemical industry, metallurgy and other indoor and outdoor places.

Characteristics of performance

- Especially designed for high bay, tall roof, It efficiently utilize the light to 95%. Glare free, have a good performance of illuminance uniformity.
- Floodlight or spotlight is both available according to mounting height. (8-15meters: floodlight, >15meters: spotlight)
- It adopts American CREE LED as light source, can save 60% or more on energy than the metal halide lamp.
- The light source is separated from the electrical appliance. This split style with the high efficiency radiator have solved the heating-up problem so that ensure the 100,000 hours LED lifespan.
- Equipped world top ranking brand, Taiwan Meanwell electrical appliance with power factor 0.98, make the lamp's performance more stable and efficient.
- The locking device on the bracket will keep the lamp from shift or trembling during harsh vibration.
- The shell adopts high-tech surface spraying technology, abrasion resistance and corruption, waterproof, dustproof, suitable to be used in all kinds of environments
- Easy to maintain.

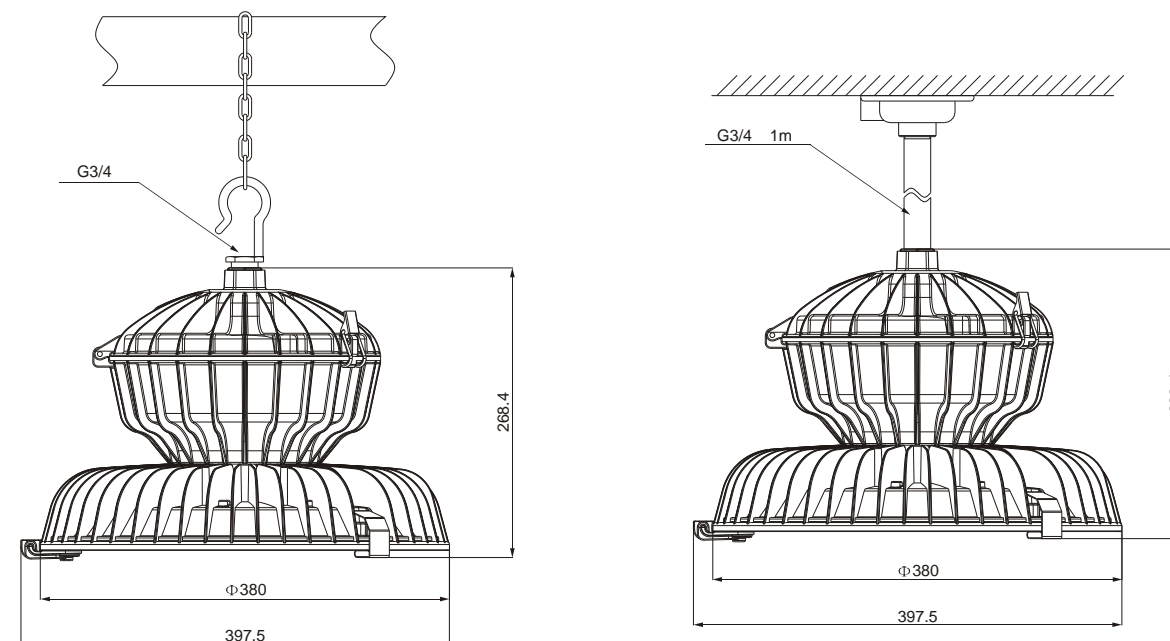
Main specification

Input Voltage	AC90 to 305V
Output Voltage	DC27-54V
Frequency	47-63Hz
Ingress Protection	IP66
Anti Corrosion Grade	WF2
Insulation Grade	I
Space Height Ratio	1.8(Spotlight), 3(Floodlight)
Thread	G3/4"
Leading-in cable diameter	φ 8mm - φ 14mm
Dimension	φ 380 × 268.5mm
Net Weight	7.5Kg

Ordering reference

Ordering Reference	Light Source	Wattage (W)	Luminous (lm)	Replace		
				MH*	Induction lamp	HPM*
ZY8501-L60	LED	60	7,225	150W	135W	175W
ZY8501-L80	LED	80	10,016	175~250W	165W	250W
ZY8501-L100	LED	100	11,568	250W	200W	250~400W
ZY8501-L120	LED	120	12,640	250~400W	250W	400W

Drawing of dimension (Dimensions in mm)



* MH: Metal halide lamp
* HPM: High pressure mercury lamp