

## Application

This product is applicable to lighting in stations, large plants, warehouses, indoor stadiums, etc.

## Characteristics of performance

- Induction lamp, compared with brightness energy-saving lamps saves 50% electricity .
- Light life up to 60,000 hours, great save use cost, especially suitable for the place difficult to change and change the big range projection lighting.
- It uses buckles instead of screws, made the ballast box more easy to open up without any other tools when installing and repairing .
- The reflector is made of imported light alloy materials, with high efficiency and gloss reflective finish, especially suitable for fixed lighting in various high bay or high ceiling places.
- Strong resistant to corrosion, water and dust, applicable to various harsh environments.
- The electrical box thermal performance is good, prevent the ballast box that the internal temperature is too high impact electrical life

## Main specification

|                           |                             |
|---------------------------|-----------------------------|
| Input Voltage             | AC220V 50Hz (60Hz Optional) |
| Ingress Protection        | IP65                        |
| Anti Corrosion Grade      | WF2                         |
| Insulation Grade          | I                           |
| Space Height Ratio        | 2.2                         |
| Leading-in cable diameter | φ 8mm - φ 10mm              |
| Dimension                 | φ 490 × 510mm               |
| Net Weight                | 10Kg                        |

IP65

-40°C

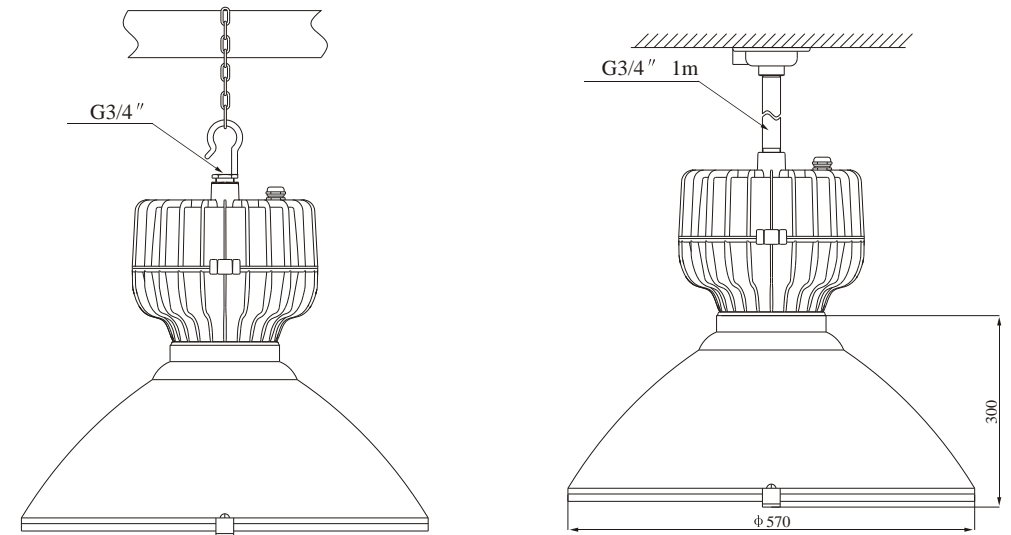
+50°C



## Ordering reference

| Ordering Reference | Light Source   | Wattage (W) | Luminous flux (lm) | Lamp Average Life (h) |
|--------------------|----------------|-------------|--------------------|-----------------------|
| ZY8530-W165        | Induction lamp | 165         | 13,200             | 60,000                |
| ZY8530-W200        | Induction lamp | 200         | 16,000             | 60,000                |

## Drawing of dimension (Dimensions in mm)



G (Standard)

D (Optional)