

## LED

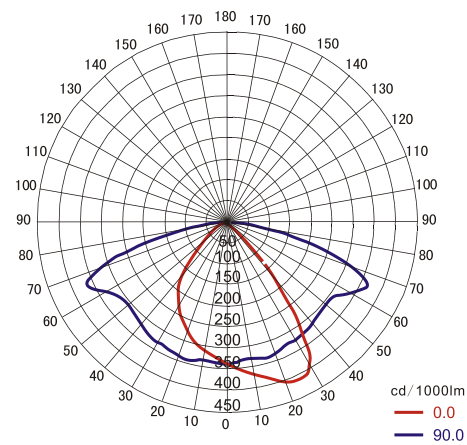
IP65

-40°C

+50°C



## Light distribution curve



## Application

This product is widely used in the factory , various city road , high ways as street light.

## Characteristics of performance

- The housing is specially designed for the heat dissipation. It effectively solved the LED degradation problem caused by the high temperature during use. So that the unit ensured the light efficacy and the 100,000 hours service life.
- The even light distribution can avoid the shadow area between the two streetlights. It is glare free. And has a pure white light.
- It adopts American CREE LED as light source, can save 60% or more on energy than the metal halide lamp.
- Equipped world top ranking brand, Taiwan Meanwell electrical appliance with power factor 0.98, make the lamp's performance more stable and efficient.
- Easy maintenance
- It adopts high-tech surface spraying technology, abrasion resistance and resistance to corrosion, waterproof, dustproof, applicable to all kinds of environments
- Mounting: suitable to pole with the diameter of 55-60mm

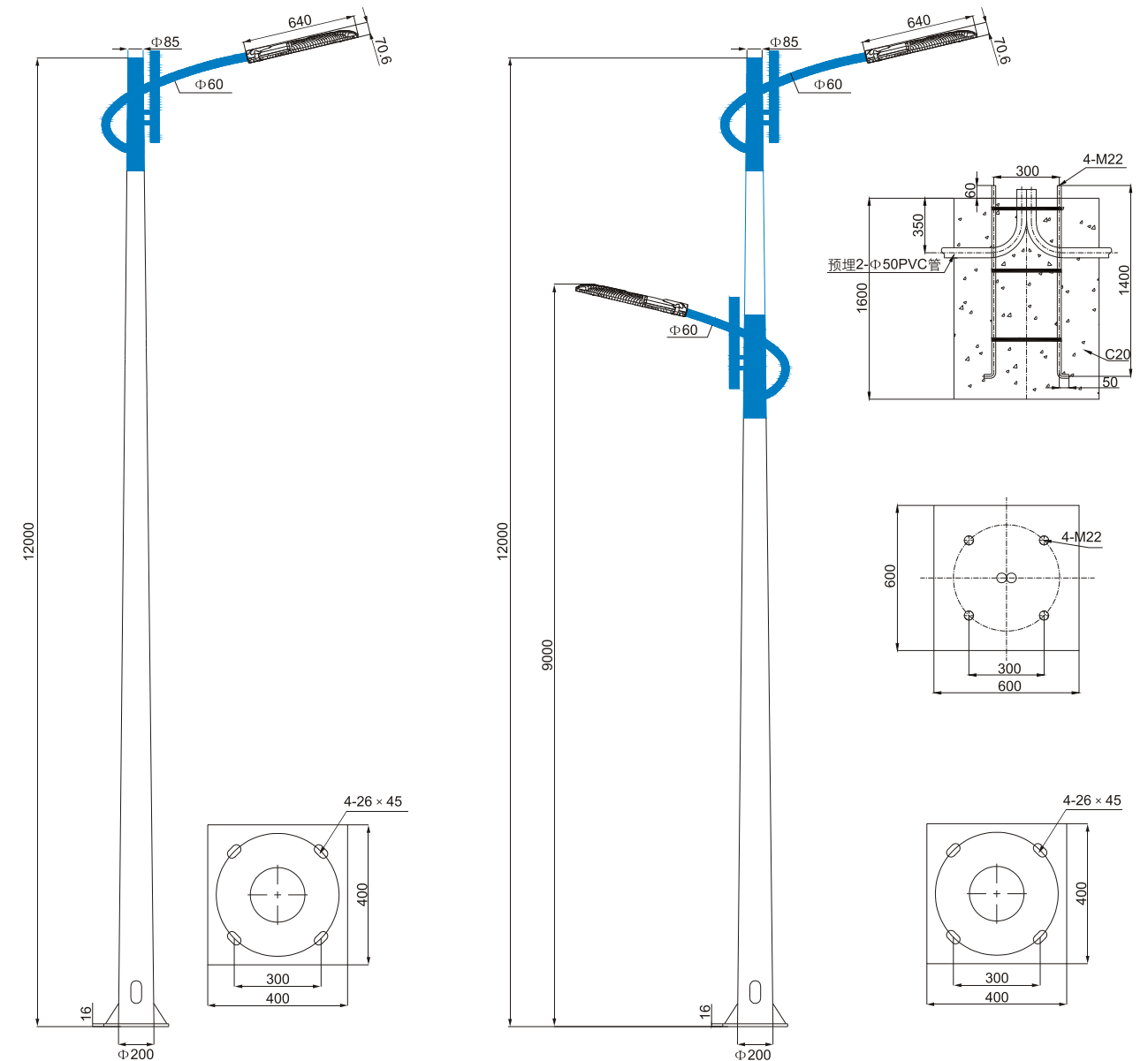
## Main specification

Input Voltage	AC90 to 305V
Output Voltage	DC27-54V
Frequency	47-63Hz
Ingress Protection	IP65
Anti Corrosion Grade	WF2
Insulation Grade	I
Space Height Ratio	3
Dimension	640 × 320 × 72.5mm
Net Weight	7Kg

## Ordering reference

Ordering Reference	Light Source	Wattage (W)	Luminous Flux (lm)	Replace		
				MH*	HPS*	Induction lamp
ZY8701-L50	LED	50	5,584	100W	70W	100W
ZY8701-L60	LED	60	7,225	150W	100W	135W
ZY8701-L80	LED	80	10,016	175W	150W	165W
ZY8701-L100	LED	100	11,568	250W	175W	200W
ZY8701-L120	LED	120	12,640	250-400W	250W	250W

## Drawing of dimension (Dimensions in mm)



\*MH: Metal Halide Lamp  
\*HPS: High Pressure Sodium Lamp