

## LED

IP66

-40°C

+50°C



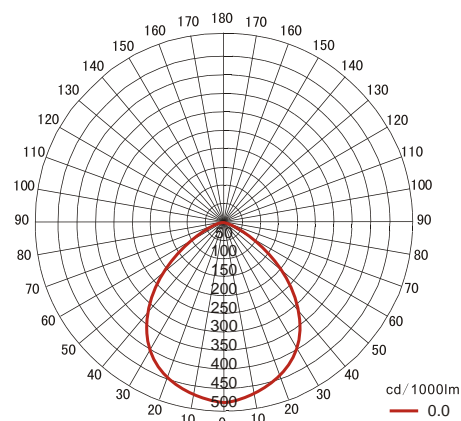
### Application

This product is applicable to flood lighting in warehouses, trenches, tunnels and some other public places.

### Characteristics of performance

- It adopts American CREE LED as light source, can save 60% or more on energy than the metal halide lamp.
- The light source service life can reach 100, 000 hours. Low maintenance.
- World famous brand Electronic Component, provide with more stable performance and high efficient.
- The unit has perfect electromagnetic compatibility feature, can avoid the interference caused to the other device and electric power transmission network.
- Light weight aluminum alloy with latest spray coating treatment. Anti rust, corrosion resistant and waterproof.
- The transparent part is made of the imported PC materials. It enjoys a higher light transmissivity, and can endure impact. Ideal for all kinds of harsh environment.

### Light distribution curve



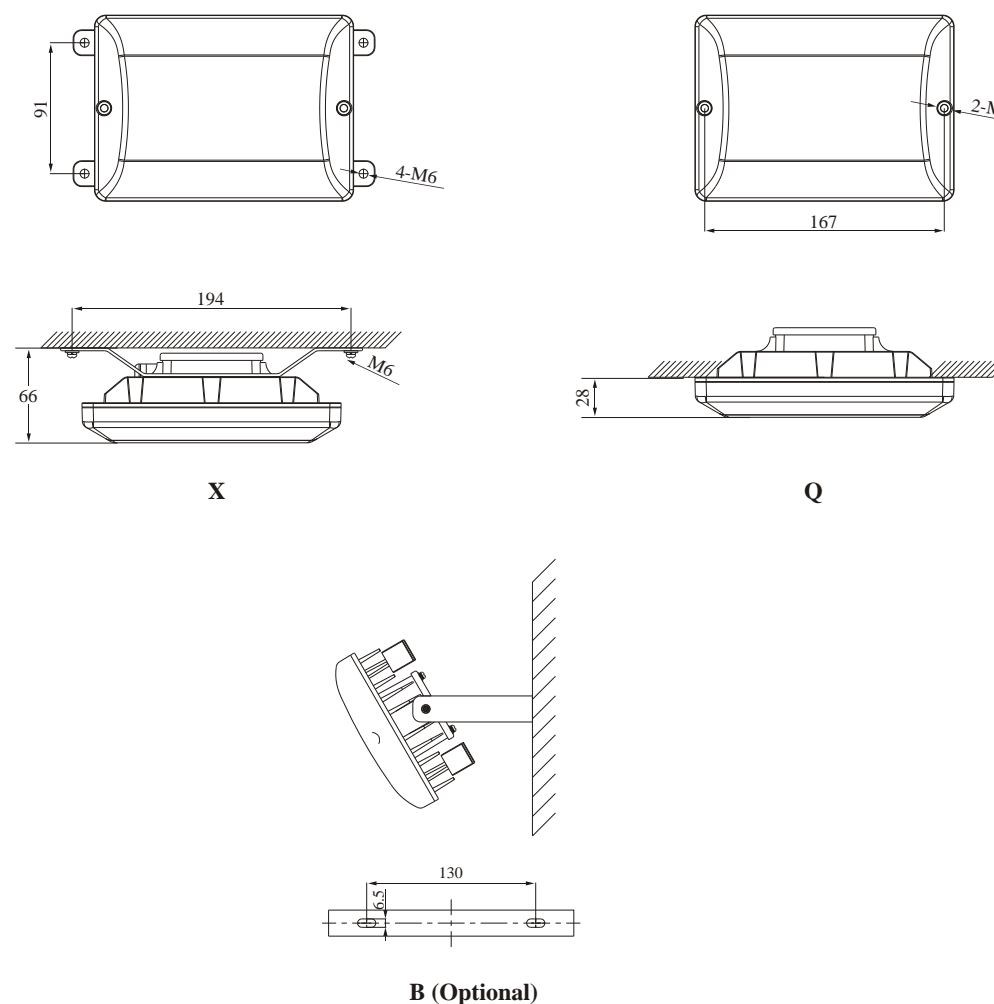
### Main parameter

Specification	Unit	ZY8800A	ZY8800B
Input voltage	V	AC90-264	
Frequency	Hz	47-63	
Output voltage	V	DC14-14.5	
Light power	W	12	6
Luminous flux	lm	560	400
High space ratio		2	
Service life	h	100,000	
Size	mm	180 × 130 × 65	
Net weight	Kg	1	

### Ordering reference

Ordering Reference	Light Source	Wattage (W)	Luminous Flux (lm)	Replace	
				Fluorescent lamp	CFL*
ZY8800A	LED	12	1,144	36W	28W
ZY8800B	LED	6	572	18W	18W

### Drawing of dimension (Dimensions in mm)



\* CFL: Compact Fluorescent Lamp