

LED

IP66

-40°C

+50°C



Application

It is ideal to be used as floodlight at the large workshop, plant, stations and anywhere a highly durable and efficient light source is needed.

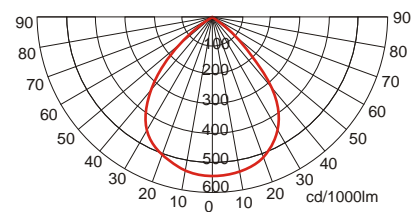
Characteristics of performance

- It adopts America BridgeLux LED as light source, which is lead in integrated light source technology and performance in the world.
- Vane type structure housing accelerate the heat dissipation, so that to ensure the LED service life.
- Equipped world top ranking brand Tawiwan Meanwell electrical appliance, make the lamp's performance more stable and efficient.
- The locking device on the bracket will keep the lamp from shift or trembling during harsh vibration.
- The housing is made of light aluminium alloy, with sealing, spraying treatment, and shock proof design, strong resistant to corrosion, water and high temperature, applicable to various harsh environments.
- Parallel connection is available, no need to use junction box.

Main specification

Input Voltage	AC90 to 305V
Output Voltage	DC33-40V
Frequency	47-63Hz
Ingress Protection	IP66
Anti Corrosion Grade	WF2
Insulation Grade	I
Space Height Ratio	2
Thread	G3/4"
Leading-in cable diameter	φ 8mm - φ 14mm
Dimension	φ 300 × 248mm
Net Weight	6.3Kg

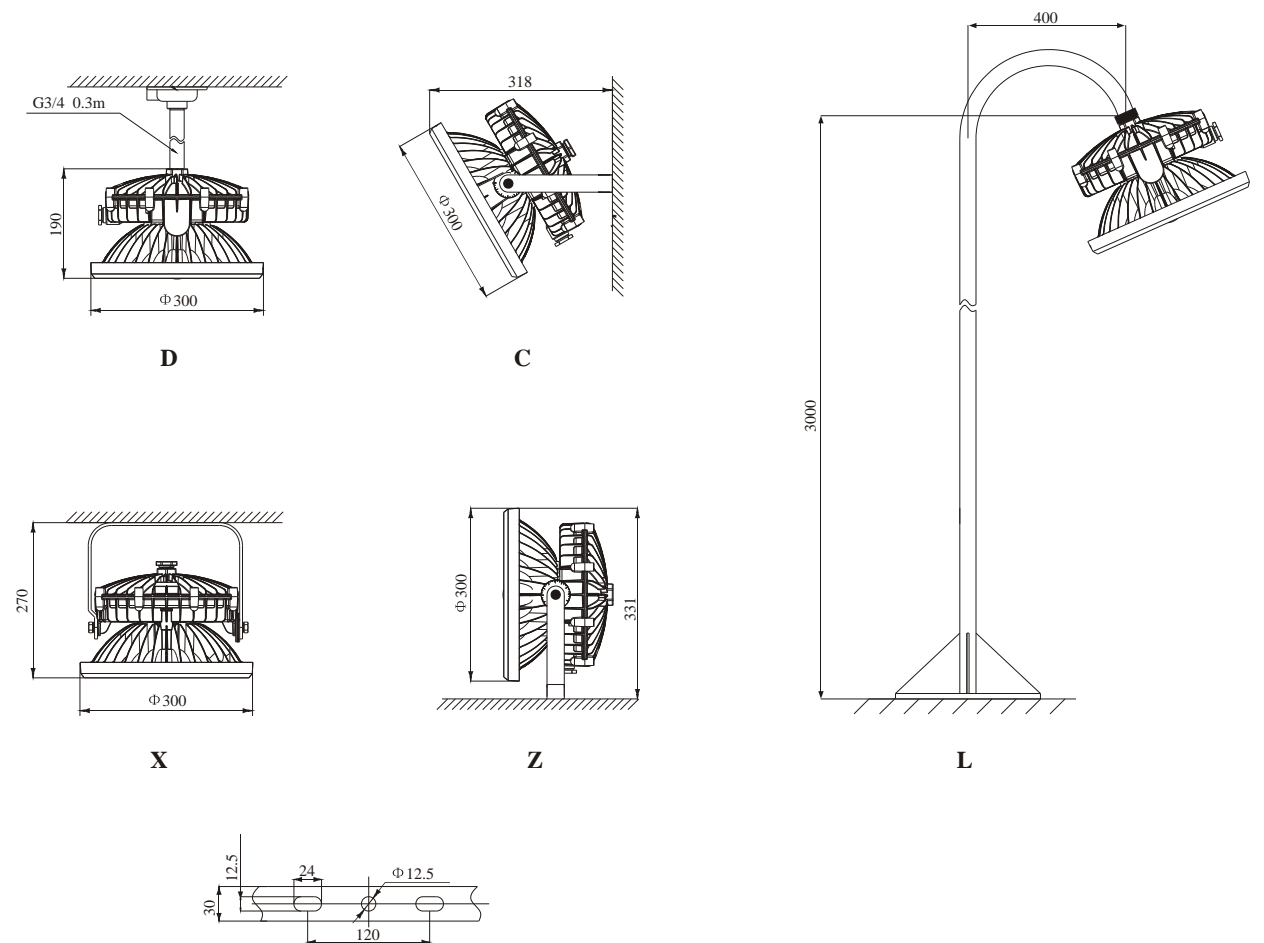
Light distribution curve



Ordering reference

Ordering Reference	Light Source	Wattage(W)	Luminous Flux (lm)	Replace		
				MH *	Induction lamp	Mercury lamp
ZY9710-L50	LED	50	4,561	100W	100W	125W
ZY9710-L60	LED	60	5,080	150W	135W	175W
ZY9710-L80	LED	80	6,991	175W	165W	250W
ZY9710-L100	LED	100	8,435	250W	200W	250~400W
ZY9710-L120	LED	120	9,794	250~400W	250W	400W

Drawing of dimension (Dimensions in mm)



Mounting hole drawing

* MH: Metal halide lamp
* CFL: Compact fluorescent lamp