

LED

IP66

-40°C

+50°C



Application

It is ideal to use in the factory, railway station, workshop, large storage, gym, large scale building area, tunnel and laneway as emergency illumination.

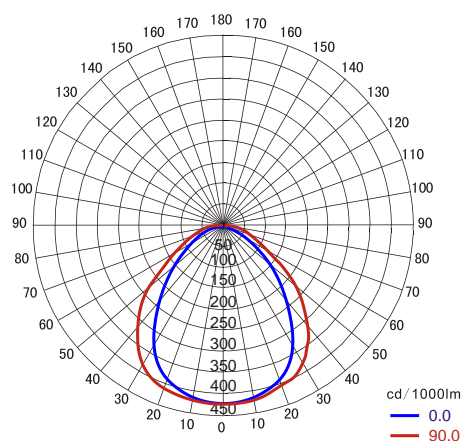
Characteristics of performance

- With its reflector which have different angles design, it efficiently utilize the light. Have a good performance of illuminance uniformity, glare free, can avoid eyestrain to the worker.
- It adopts American CREE LED as light source, can save 60% or more on energy than the metal halide lamp
- Efficient radiator effective solve the LED light failure caused by temperature rising, so as to ensure that LED life up to 100,000hrs.
- Equipped with world top ranking brand, Taiwan Meanwell electrical appliance with power factor 0.98, make the lamp's performance more stable and efficient.
- The locking device on the bracket will keep the lamp from shift or trembling during harsh vibration.
- The housing adopts high-tech surface spraying technology, abrasion resistance corruption, waterproof, dustproof, suitable to be used in all kinds of environments
- Easy to install and maintenance.

Main specification

Input Voltage	AC90 to 305V
Output Voltage	DC36-48V
Frequency	47-63Hz
Recharge Time	>5 hours
Ingress Protection	IP66
Anti Corrosion Grade	WF2
Insulation Grade	I
Space Height Ratio	4.5
Thread	G3/4"
Leading-in cable diameter	φ 6mm - φ 8mm
Dimension	300 × 300 × 75mm
Net Weight	4.7Kg

Light distribution curve



Ordering reference

Model No.	Type	Light Source	Emergency Wattage (W)	Normal illuminate Wattage (W)	Emergency Duration (minute)	Emergency Luminous Flux(lm)	Replace MH
ZY8101A-L25-L15	Normal illuminate + Emergency	LED	15W	25W	120	2,134	35W
ZY8101A-L40-L15			15W	40W	120	2,134	35W
ZY8101A-L60-L15			15W	60W	120	2,134	35W
ZY8101B-L15	Only Emergency	LED	15W	/	120	2,134	35W
ZY8101A-L25-L25	Normal illuminate + Emergency	LED	25W	25W	70	3,300	70W
ZY8101A-L40-L25			25W	40W	70	3,300	70W
ZY8101A-L60-L25			25W	60W	70	3,300	70W
ZY8101B-L25	Only Emergency	LED	25W	/	70	3,300	70W

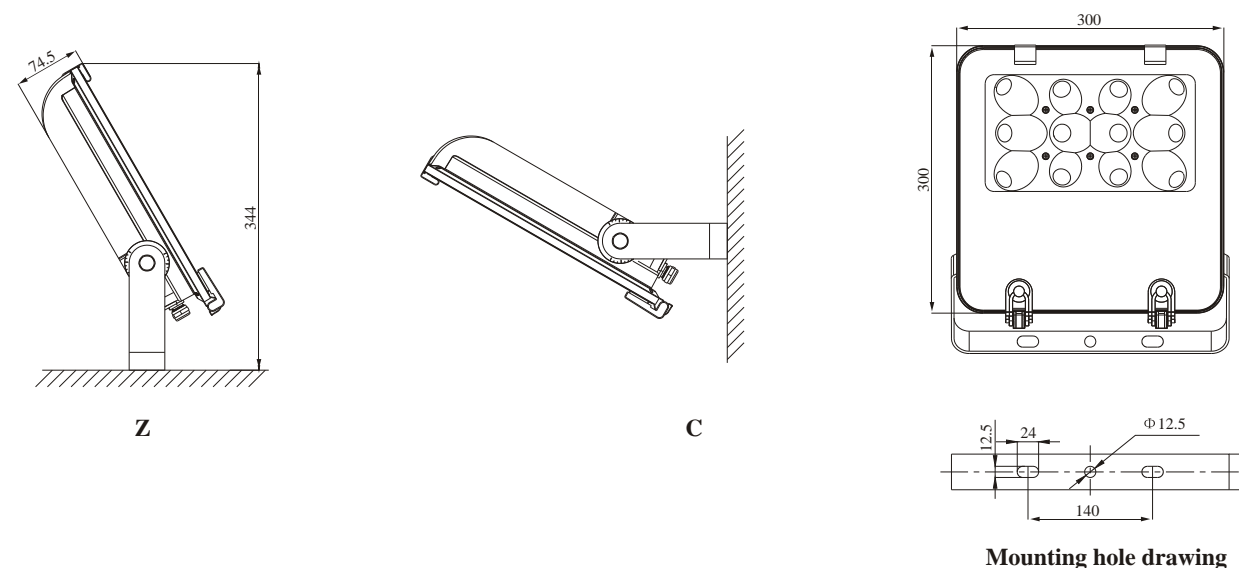
Remark:

ZY8101A: Under normal condition, ZY8101A will use normal external power to illuminate (its rated power can be made to 25w 40w 60w). In the case of power outage or in any situation where power is interrupted, this unit will automatically switch to battery backup (lamp wattage can be made to 15w 25w under emergency mode) which will power the unit for 120 or 70 minutes (15w: 120minutes, 25w: 70minutes).

ZY8101B is only applied for emergency lighting when power outage, and on normal condition it is off.

If emergency switch is needed, please add "-K" behind the model No. for example: ZY8101A-25-L25-K

Drawing of dimension(Dimensions in mm)



*MH: Metal halide lamp